





**INJAZ**  
**Site Facilities Contracting**





**INJAZ**

**Site Facilities Contracting**

**Project Architectural Design Proposal**

**Guesthouse (Technical Assistance Luxury Accommodation)**

**And**

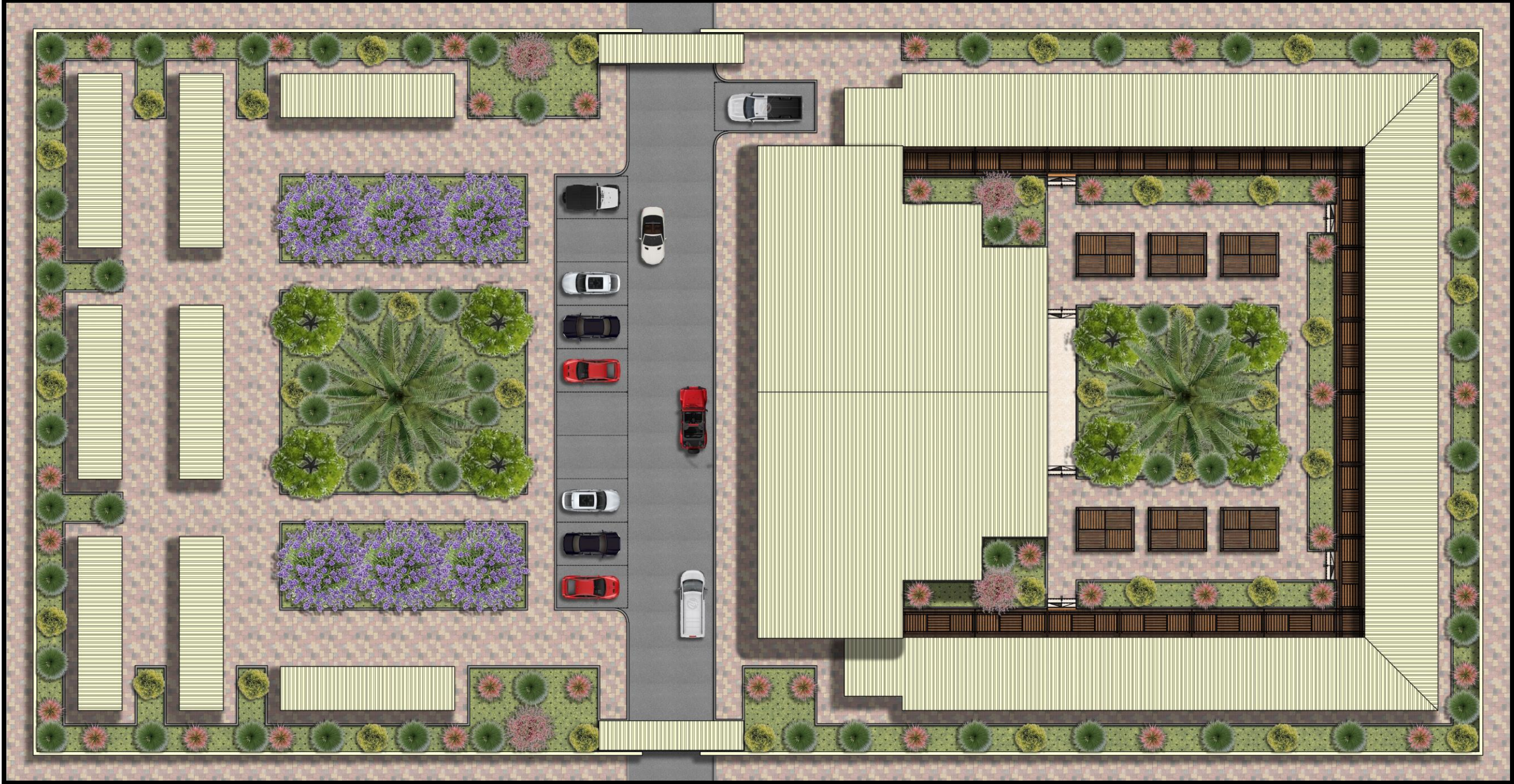
**Containers Area (Staff Accommodation)**

**Location: Beni Suef Air Station, Beni Suef, Egypt**

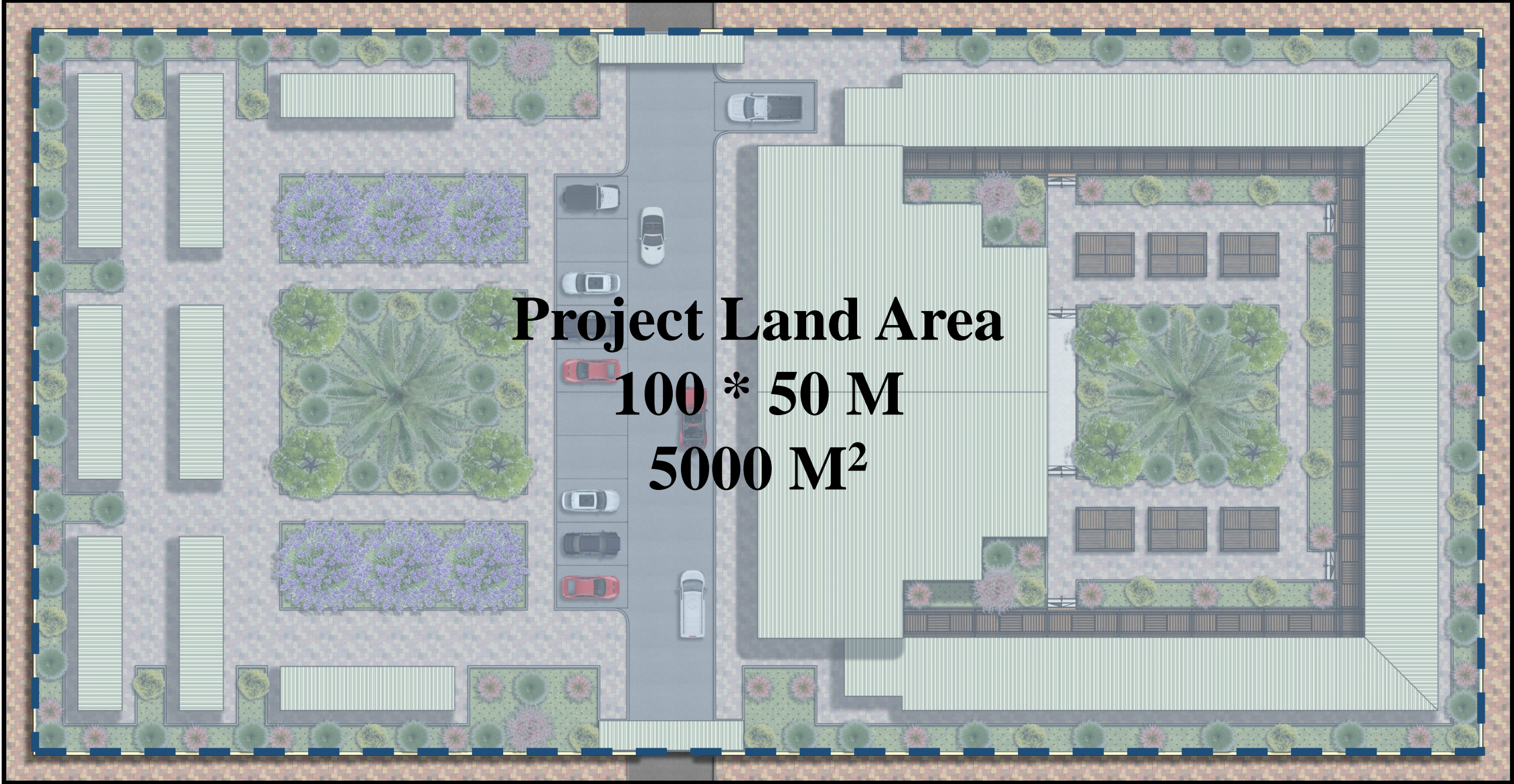
**Owner: DASSAULT AVIATION**



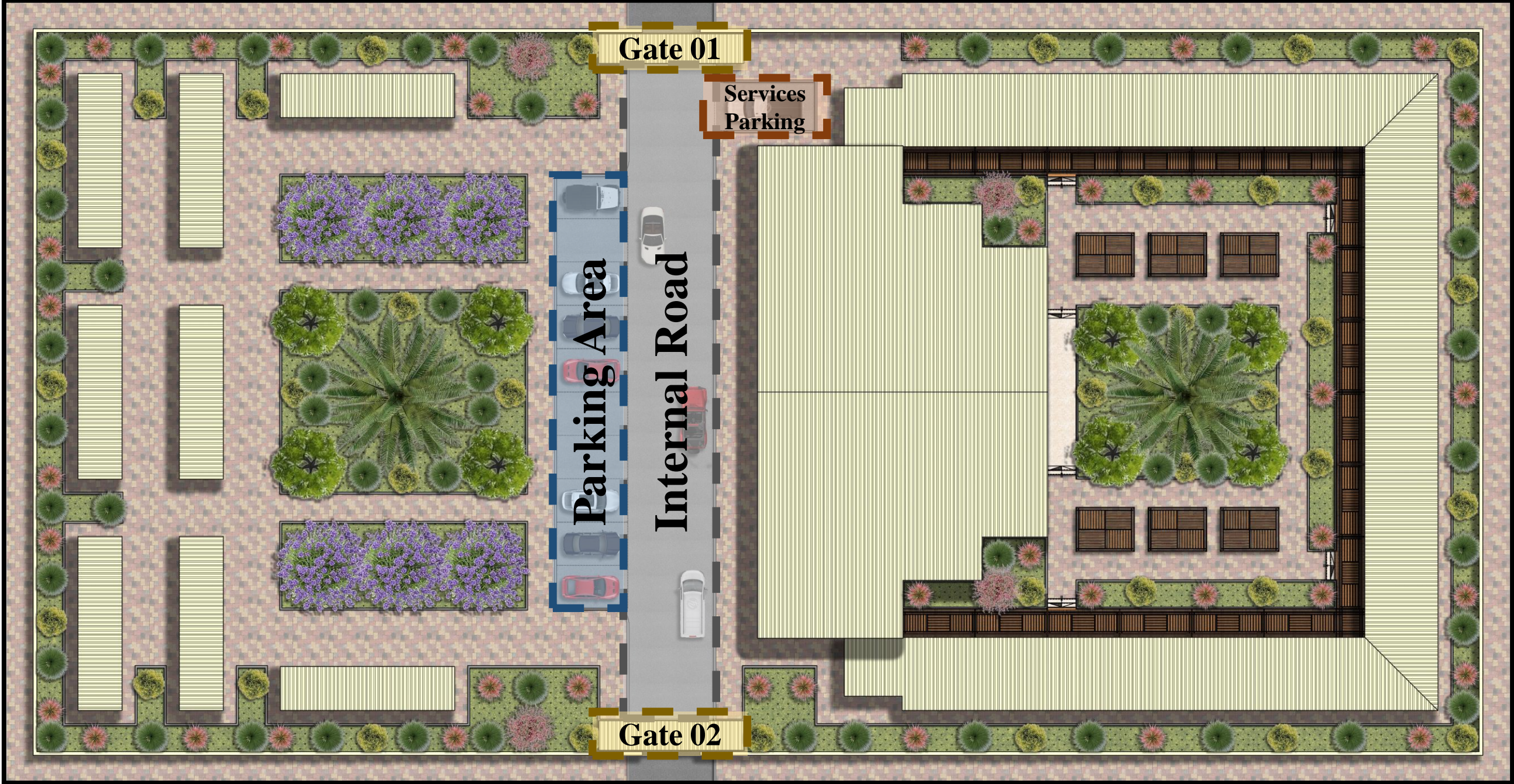
# Guesthouse (Technical Assistance Luxury Accommodation) And Containers Area (Staff Accommodation)



## Project General Layout



Guesthouse (Technical Assistance Luxury Accommodation) And Containers Area (Staff Accommodation)



Project General Layout

**Guesthouse (Technical Assistance Luxury Accommodation) And Containers Area (Staff Accommodation)**

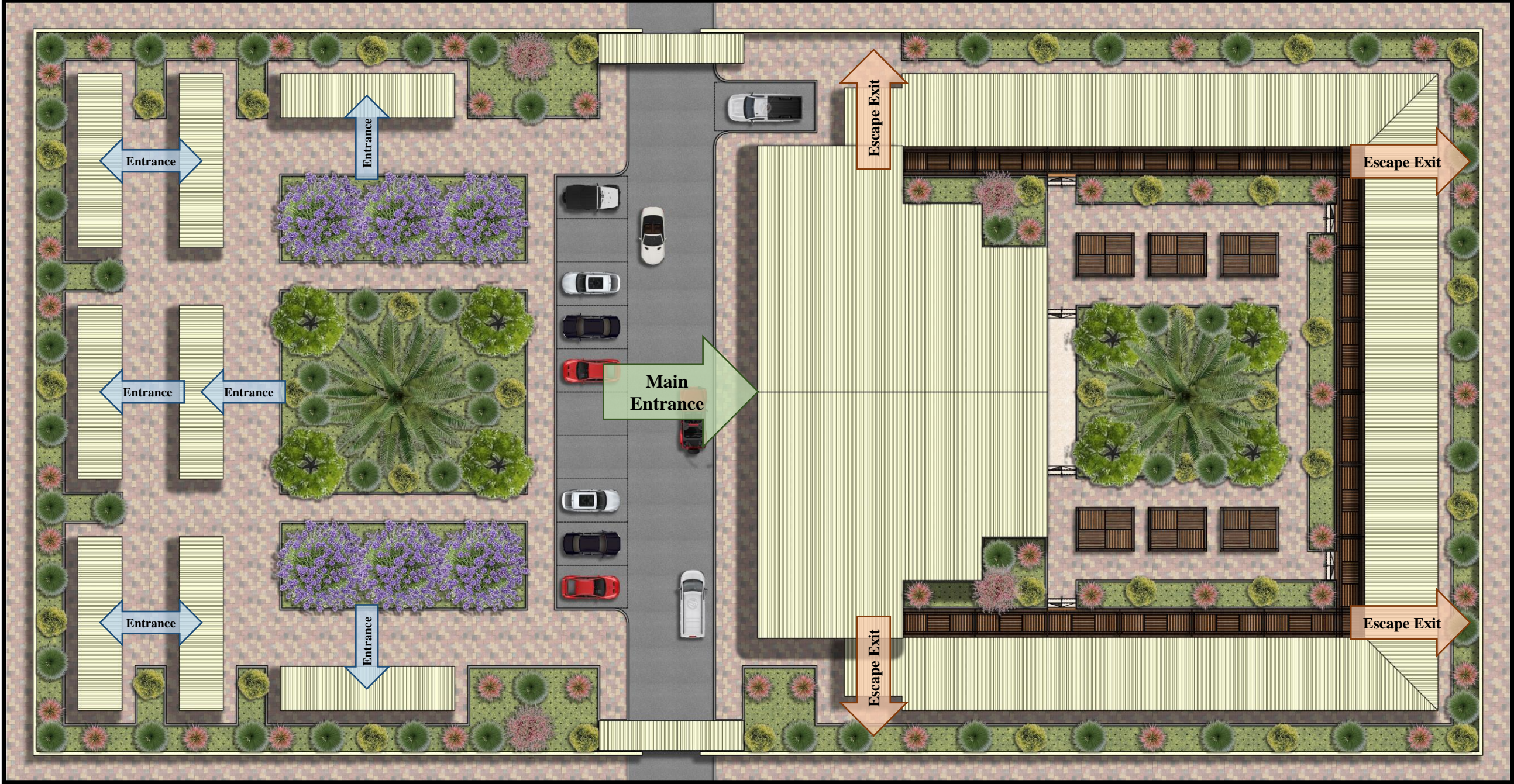


**Containers Area  
Staff Accommodation**

**Guesthouse  
Technical Assistance Luxury  
Accommodation**



# Guesthouse (Technical Assistance Luxury Accommodation) And Containers Area (Staff Accommodation)



## Project General Layout



**Guesthouse (Technical Assistance Luxury Accommodation) And Containers Area (Staff Accommodation)**



**Project General Layout**



**Guesthouse (Technical Assistance Luxury Accommodation) And Containers Area (Staff Accommodation)**



**Project Perspective**



**Guesthouse (Technical Assistance Luxury Accommodation) And Containers Area (Staff Accommodation)**



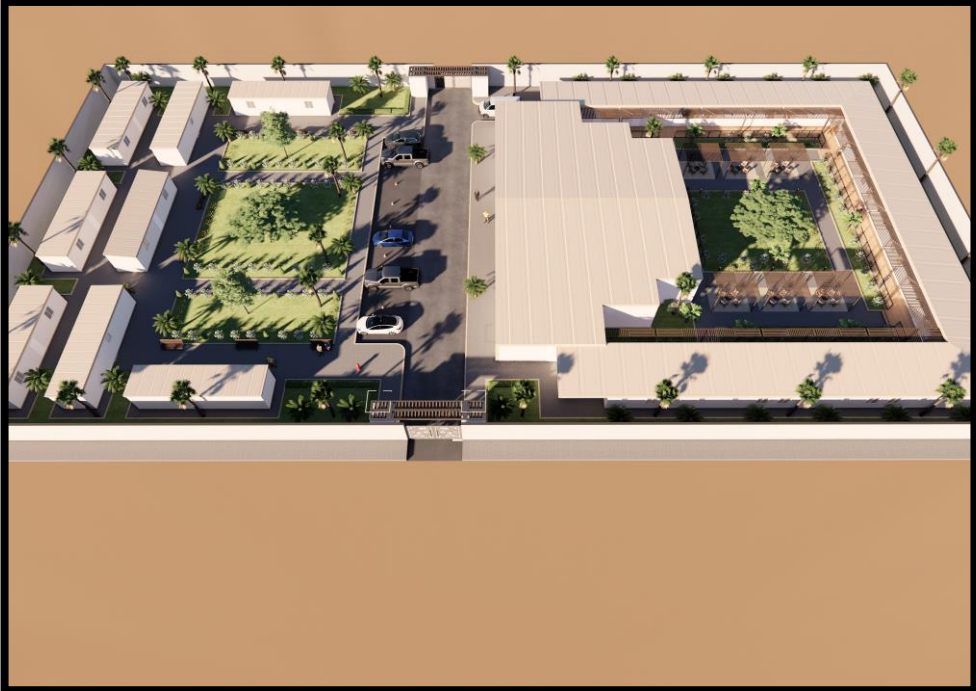
**Project Perspective**

**Guesthouse (Technical Assistance Luxury Accommodation) And Containers Area (Staff Accommodation)**



**Project Perspective**

# Guesthouse (Technical Assistance Luxury Accommodation) And Containers Area (Staff Accommodation)

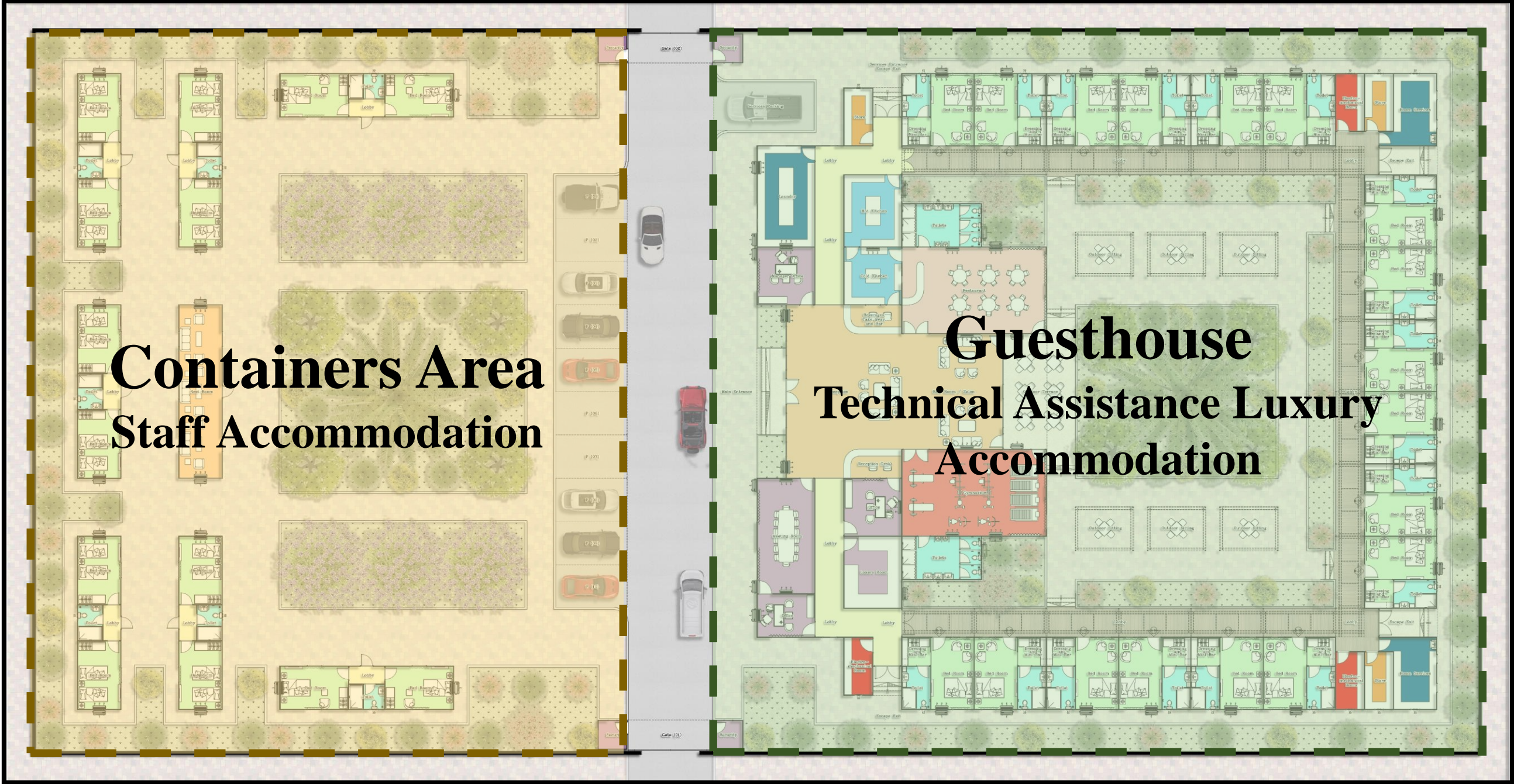


## Project Perspective

# Guesthouse (Technical Assistance Luxury Accommodation) And Containers Area (Staff Accommodation)



# Guesthouse (Technical Assistance Luxury Accommodation) And Containers Area (Staff Accommodation)



**Containers Area  
Staff Accommodation**

**Guesthouse  
Technical Assistance Luxury  
Accommodation**



# Guesthouse (Technical Assistance Luxury Accommodation) And Containers Area (Staff Accommodation)



Guesthouse Master Plan





**Guesthouse (Technical Assistance Luxury Accommodation) And Containers Area (Staff Accommodation)**



**Guesthouse Perspective**



# Guesthouse (Technical Assistance Luxury Accommodation) And Containers Area (Staff Accommodation)



## Guesthouse Perspective

# Guesthouse (Technical Assistance Luxury Accommodation) And Containers Area (Staff Accommodation)



## Guesthouse Perspective

**Guesthouse (Technical Assistance Luxury Accommodation) And Containers Area (Staff Accommodation)**



**Guesthouse Perspective**

# Guesthouse (Technical Assistance Luxury Accommodation) And Containers Area (Staff Accommodation)

**Laundry Room**

- Laundry Room (28 M<sup>2</sup>).

**Restaurant**

- Restaurant Hall (60 M<sup>2</sup>).
- Hot Kitchen (20 M<sup>2</sup>).
- Cold Kitchen (16 M<sup>2</sup>).
- Beverages and Take Away Bar (8 M<sup>2</sup>).
- Toilets (16.5 M<sup>2</sup>).

**Entrance and Reception**

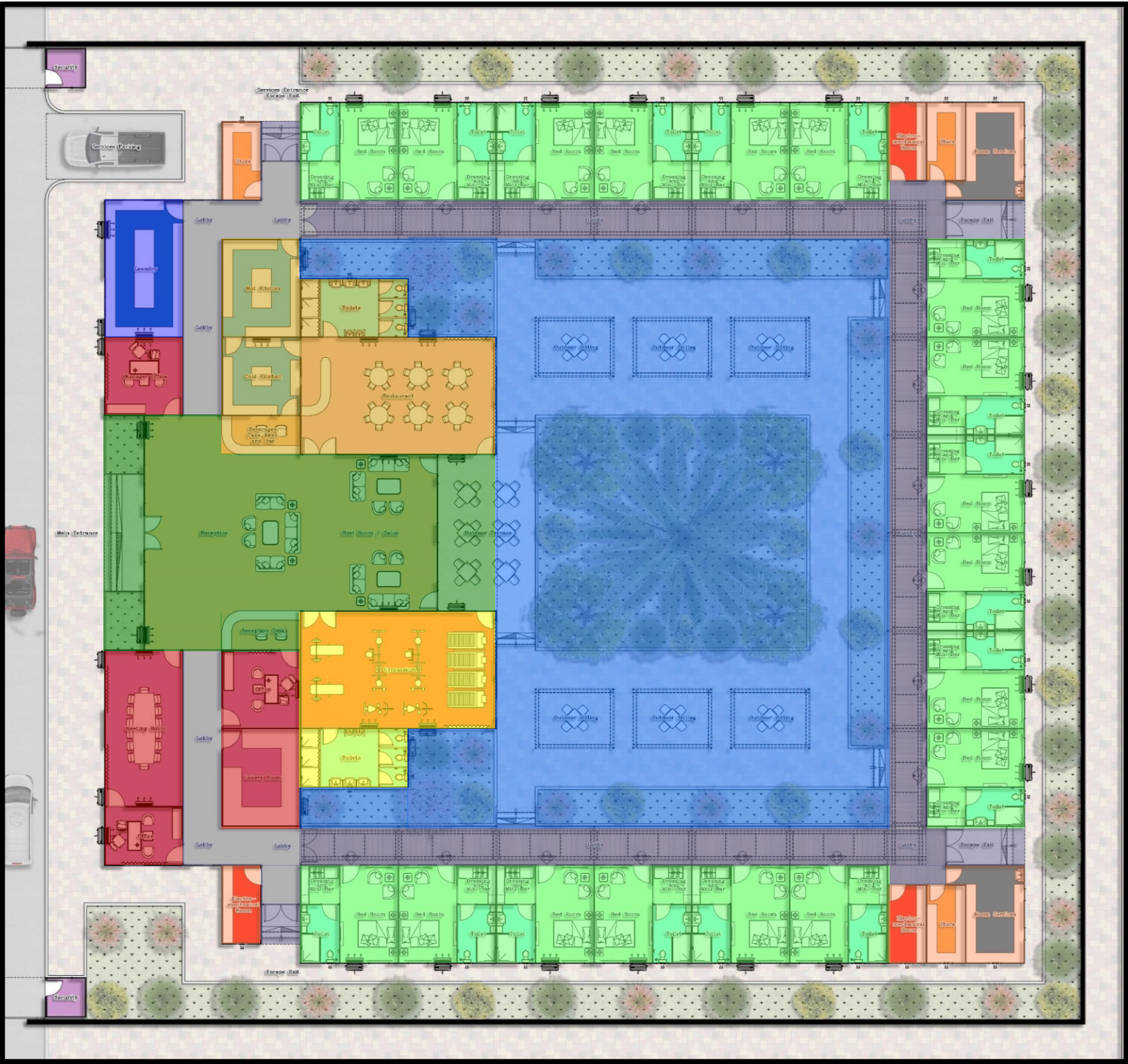
- Entrance (24 M<sup>2</sup>).
- Reception Hall (152 M<sup>2</sup>).
- Outdoor Sitting Area (24 M<sup>2</sup>).
- Information Desk (8 M<sup>2</sup>).

**Gymnasium Hall**

- Gymnasium Hall (60 M<sup>2</sup>).
- Toilets (16.5 M<sup>2</sup>).

**Administration Spaces**

- Manager Office (16 M<sup>2</sup>).
- Front Desk Office (16 M<sup>2</sup>).
- Meeting Room (32 M<sup>2</sup>).
- Office (12 M<sup>2</sup>).
- Lockers Room (20 M<sup>2</sup>).



**Social Area**

- Outdoor Sitting Area (292 M<sup>2</sup>).
- Green Area (351 M<sup>2</sup>).

**Circulation Area**

- Lobbies (258 M<sup>2</sup>).
- Four Escape Exit (4\*8 M<sup>2</sup>).

**Bed Rooms**

- Capacity 18 Bed Rooms (18\*25 M<sup>2</sup>).
- Individual Bed Room (18\*15 M<sup>2</sup>).
- Individual Dressing and Mini Bar (18\*4 M<sup>2</sup>).
- Individual Toilet (18\*6 M<sup>2</sup>).

**Service Spaces**

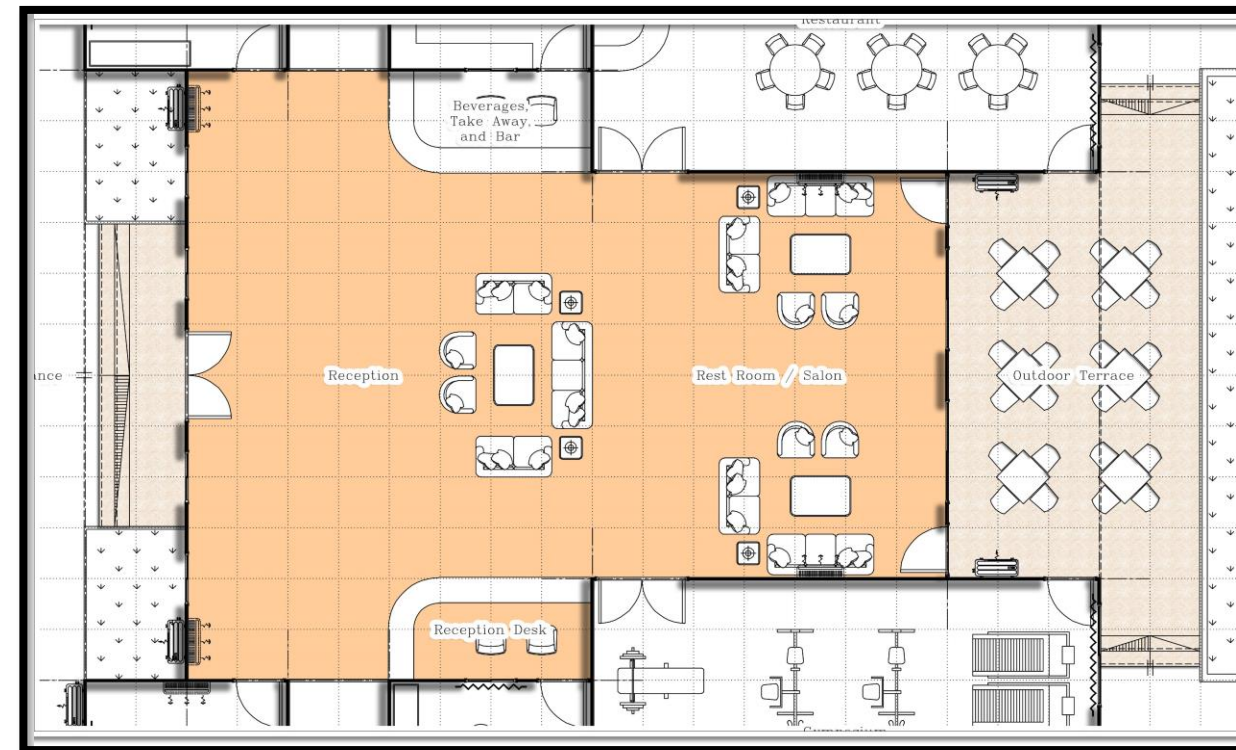
- Room Services (2\*15 M<sup>2</sup>).
- Stores (3\*8 M<sup>2</sup>).
- Electromechanical Room (3\*8 M<sup>2</sup>).

## Guesthouse Master Plan

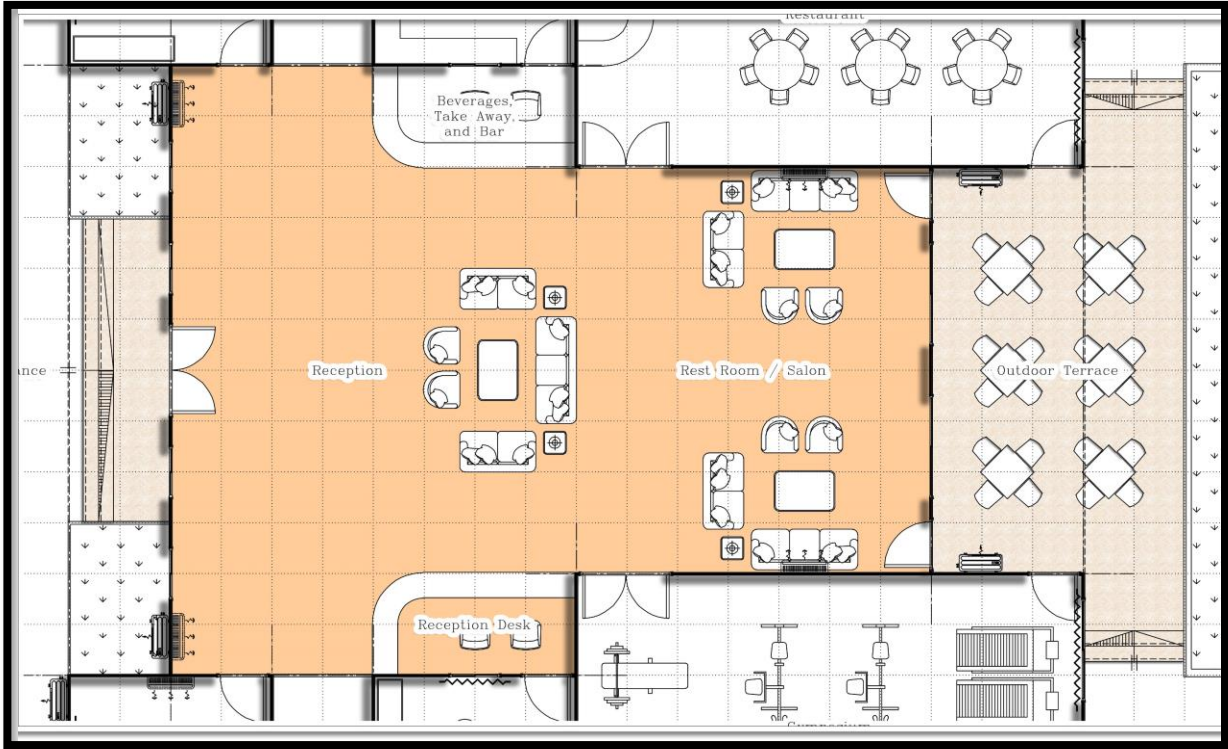
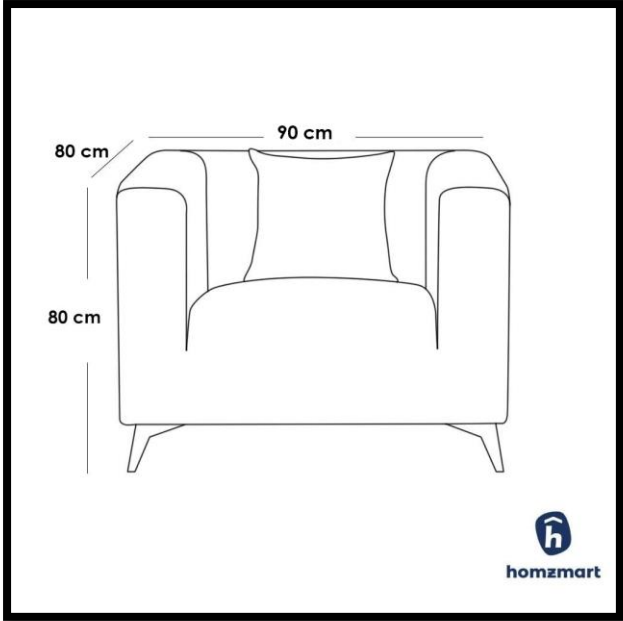
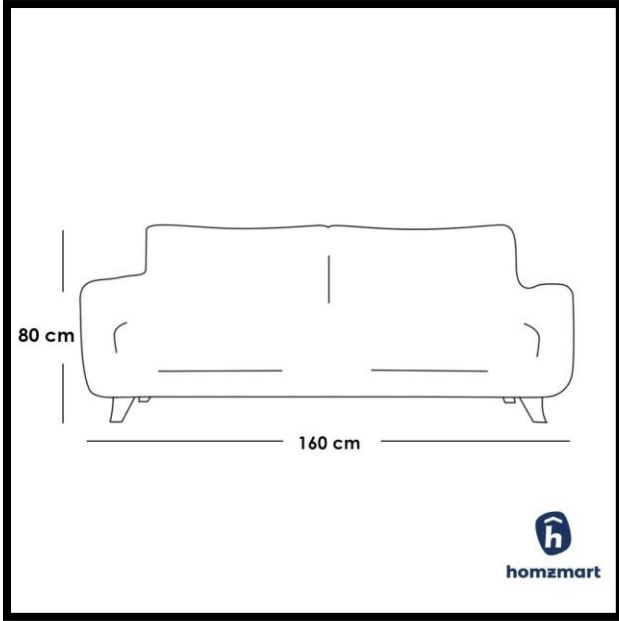
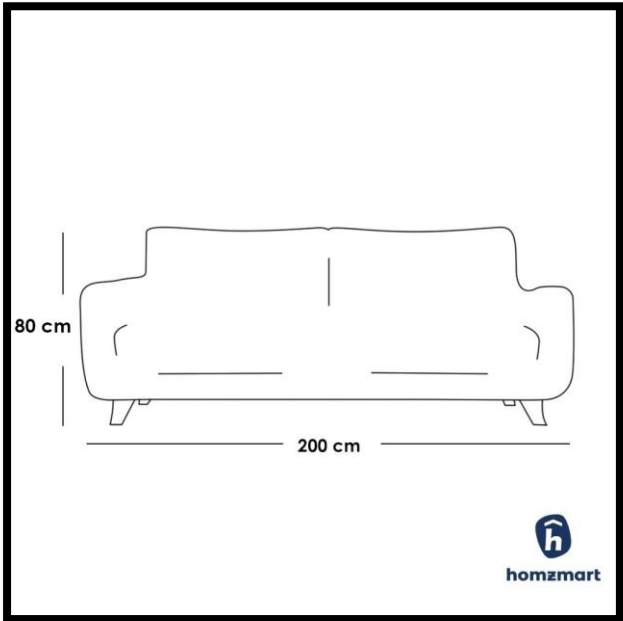


## Guesthouse – Entrance and Reception

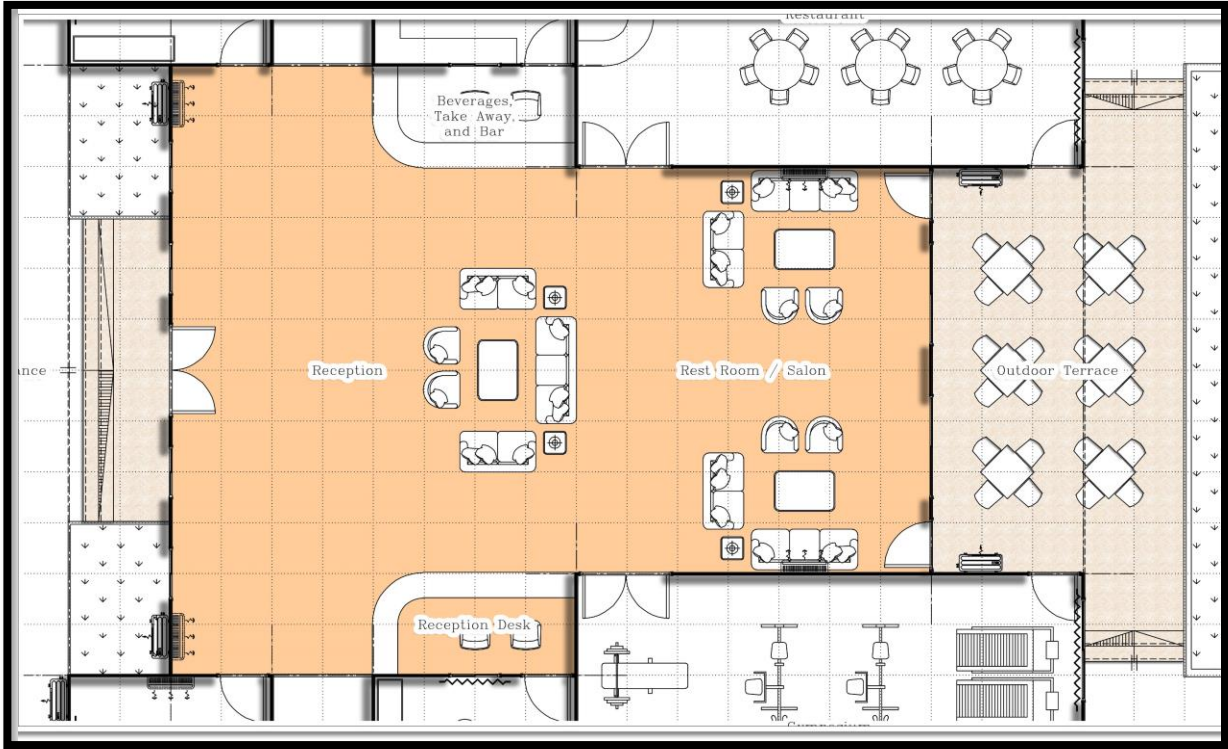
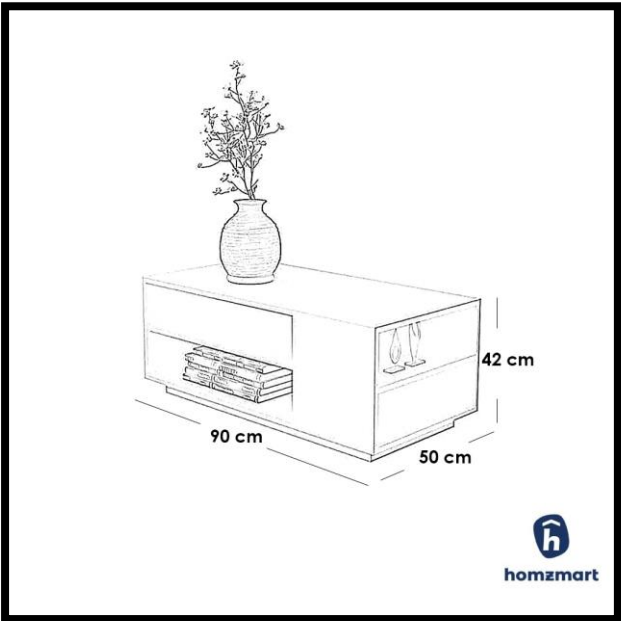
- Entrance (24 M<sup>2</sup>).
- Reception Hall (152 M<sup>2</sup>).
  - Three Triple Sofas (200\*80 Cm).
  - Four Double Sofas (160\*80 Cm).
  - Six Arm Chairs (90\*80 Cm).
  - Three Center Table (90\*50 Cm).
  - Four Side Table (40\*40 Cm).
  - Four HVAC Split Unit.
- Outdoor Sitting Area (24 M<sup>2</sup>).
  - Six Circle Tables (Radius 90 Cm).
  - Twenty Four Chairs (50\*55 Cm).
- Information Desk (8 M<sup>2</sup>).
  - Two Chairs (45\*45 Cm).



# Guesthouse – Entrance and Reception Proposed Furniture

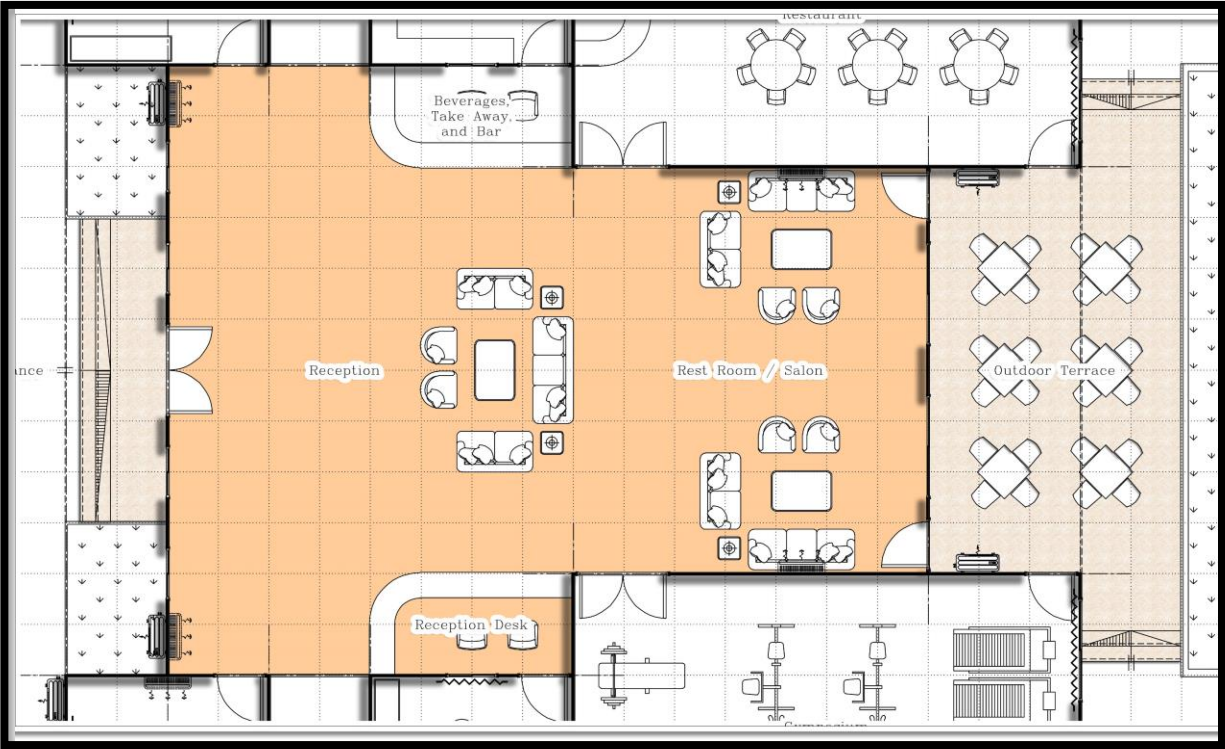
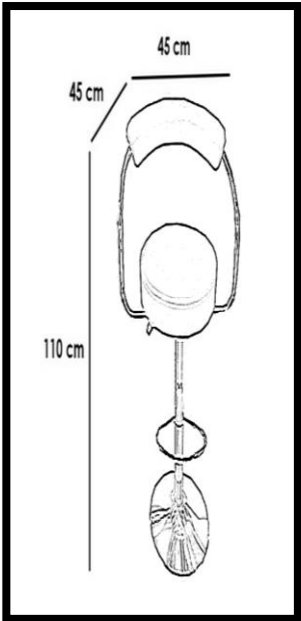
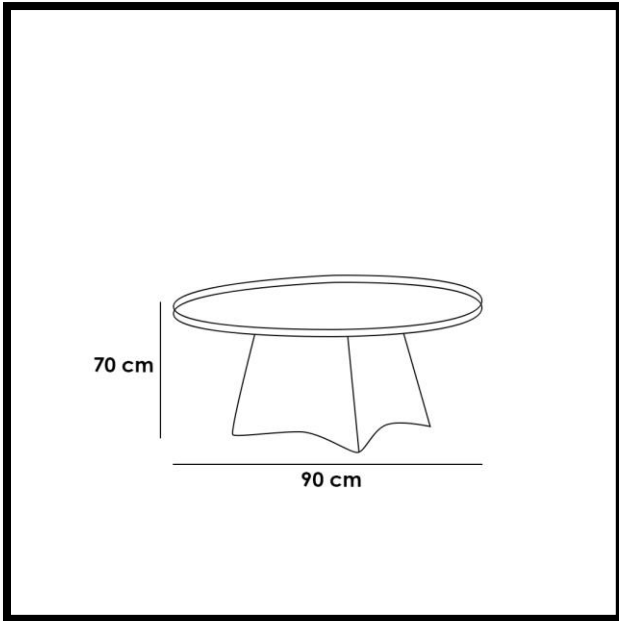
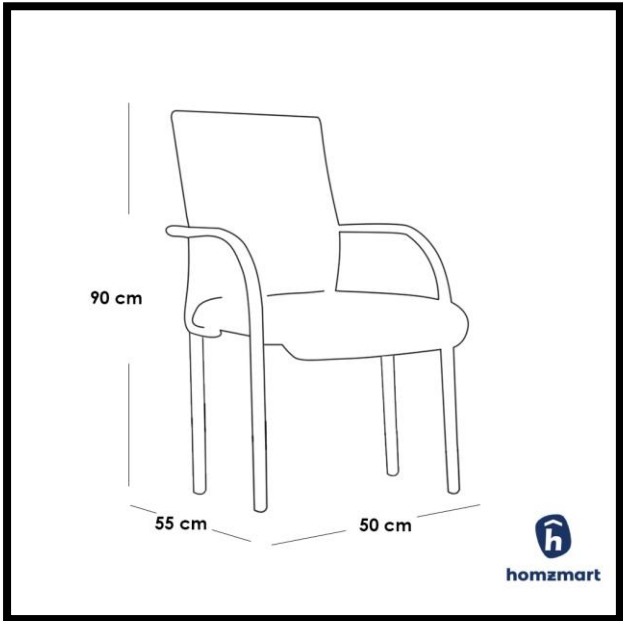


# Guesthouse – Entrance and Reception Proposed Furniture



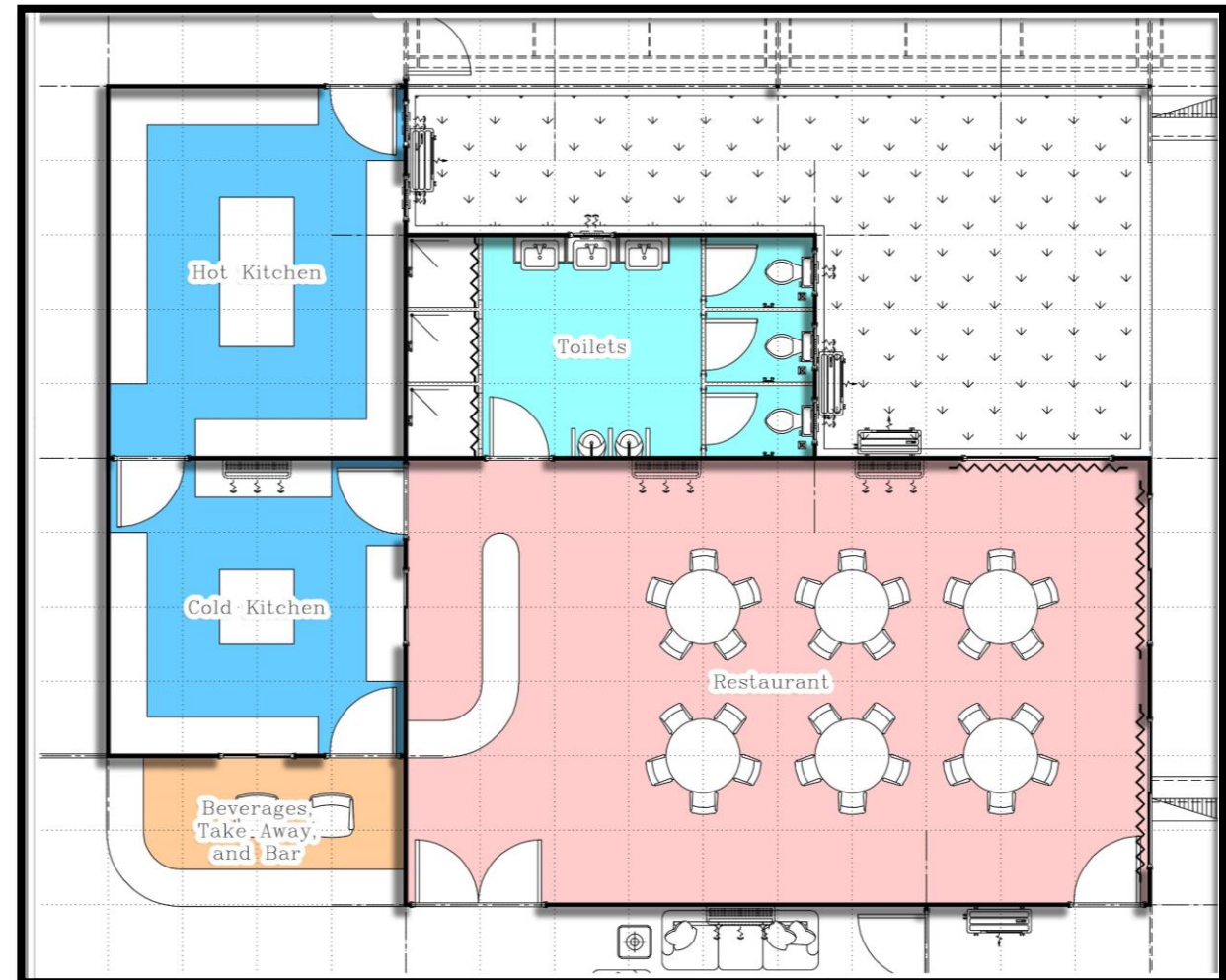


# Guesthouse – Entrance and Reception Proposed Furniture

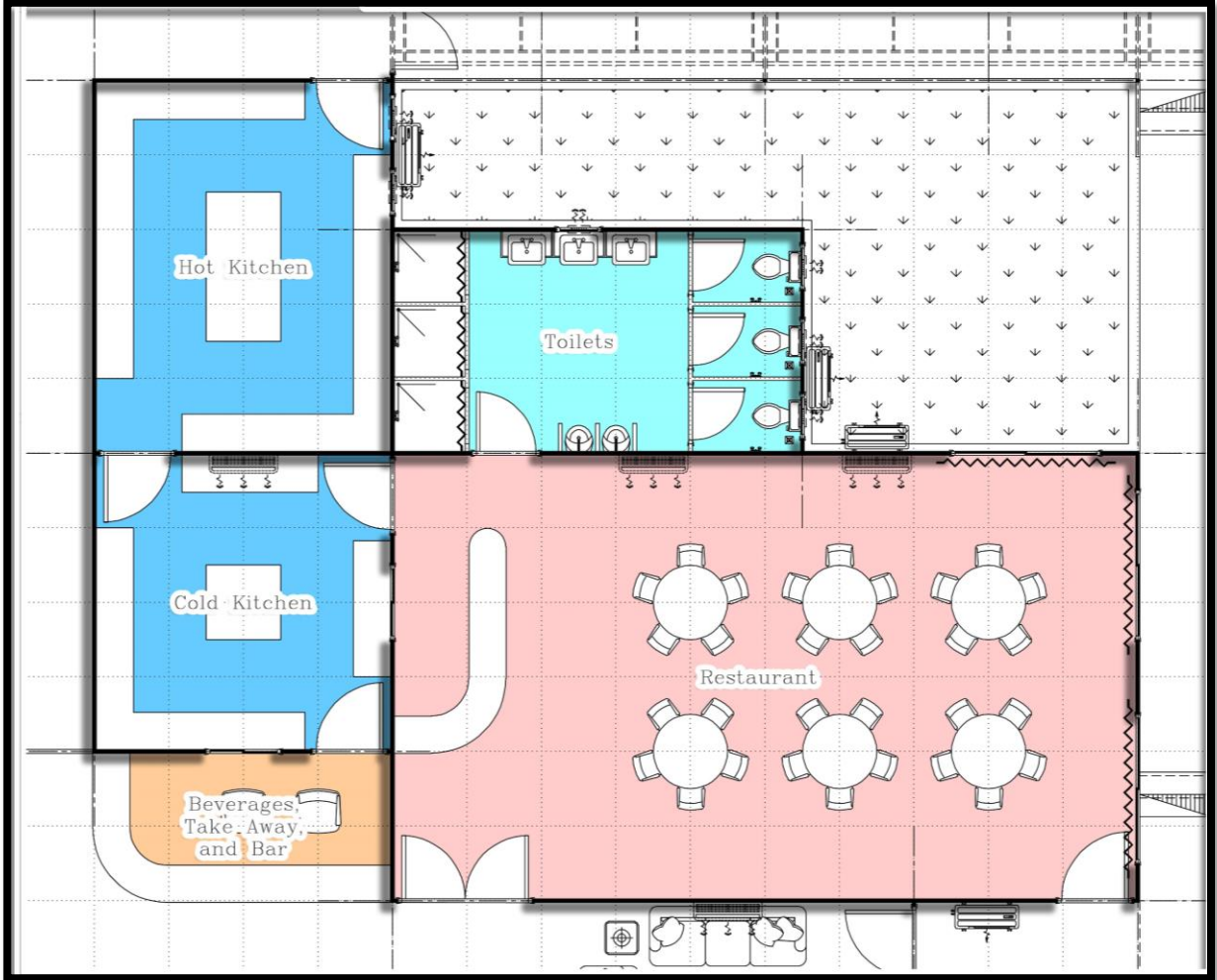


## Guesthouse - Restaurant

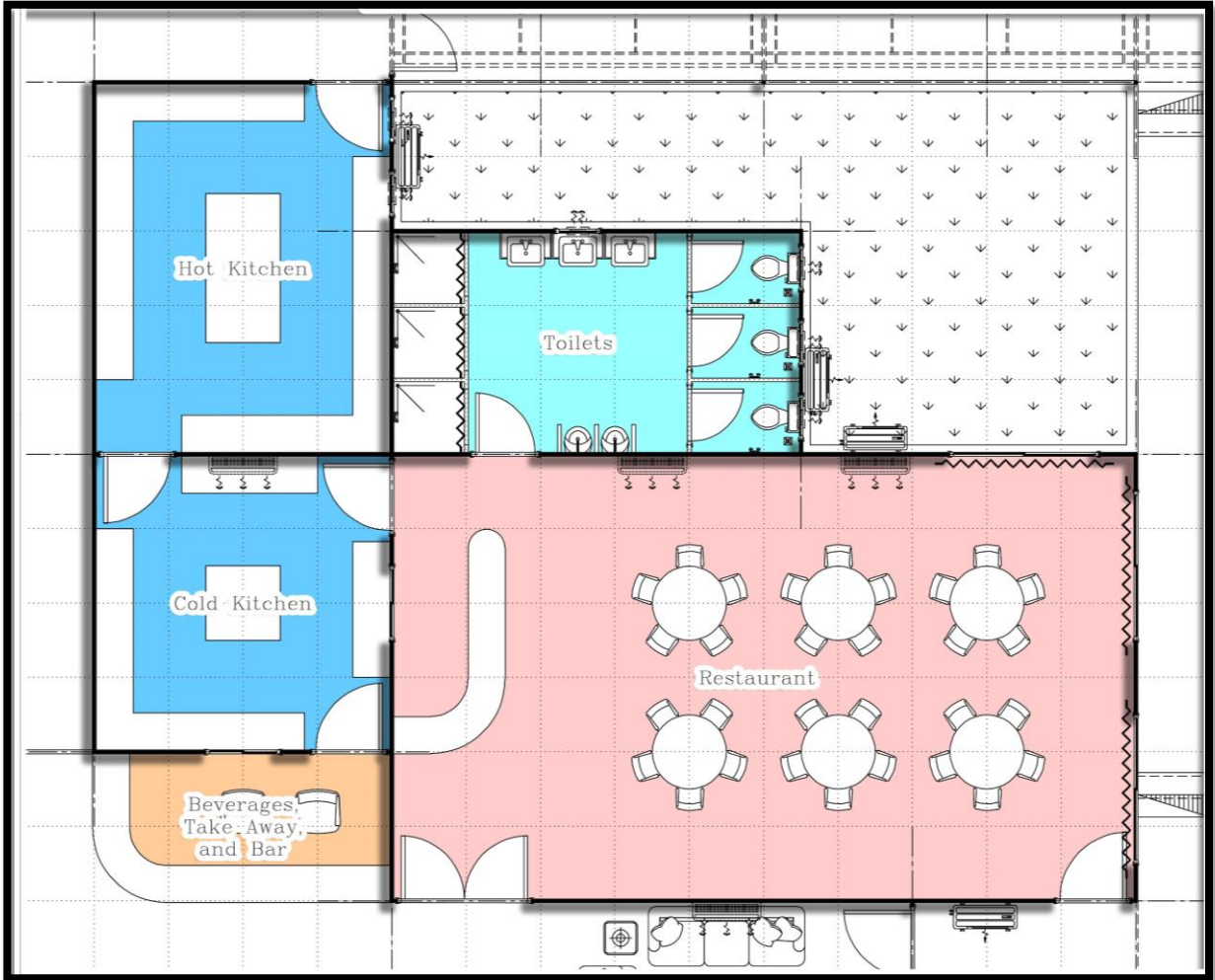
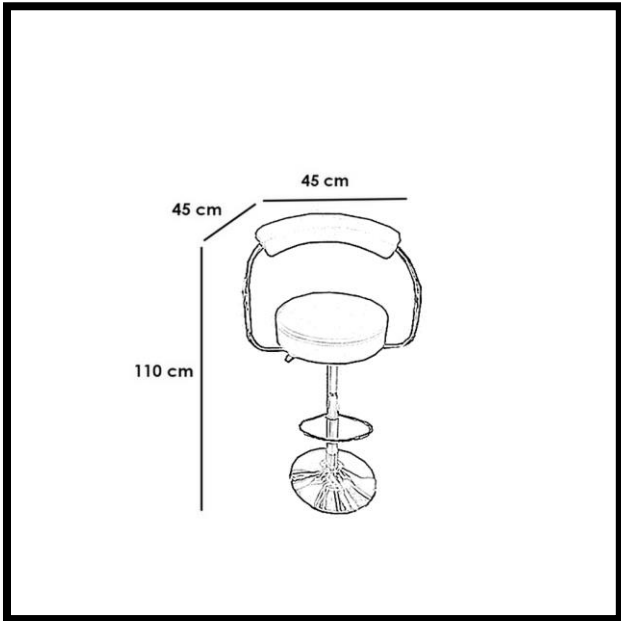
- Capacity 30 Persons.
- Restaurant Hall (60 M<sup>2</sup>).
  - Six Tables (Radius 100 Cm).
  - Thirty Chairs (45\*40 Cm).
  - One Service Bar (400\*50 Cm).
  - Two HVAC Split Unit.
- Hot Kitchen (20 M<sup>2</sup>).
  - Usual Hot Kitchen Appliances.
- Cold Kitchen (16 M<sup>2</sup>).
  - Usual Cold Kitchen Appliances.
  - One HVAC Split Unit.
- Beverages and Take Away Bar (8 M<sup>2</sup>).
  - Two Bar Chairs (45\*45 Cm).
- Toilets (16.5 M<sup>2</sup>).
  - Three Hand Wash Lavatory with Mirrors.
  - Three Shower Cabinet (100\*100 Cm).
  - Three Bowl with Integrated Douche Spray.
  - Two Wall Mounted Urinal with Douche.



# Guesthouse - Restaurant Proposed Furniture



# Guesthouse - Restaurant Proposed Furniture



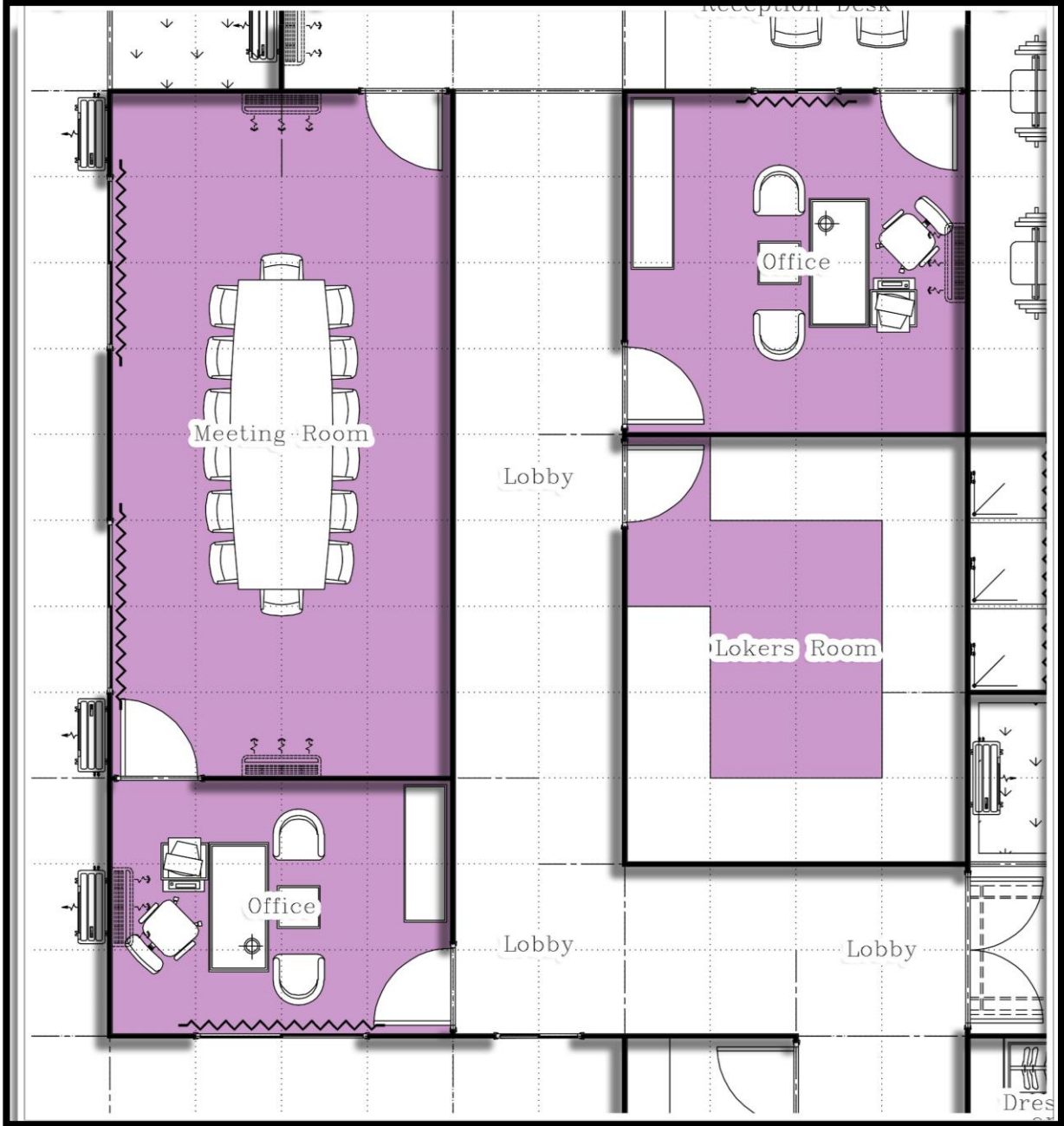
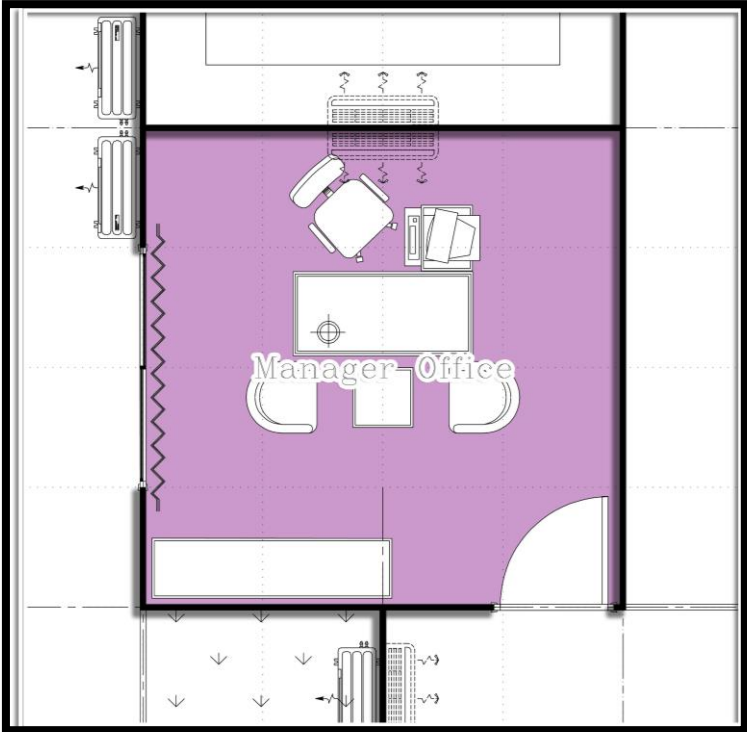
## Guesthouse - Gymnasium

- Gymnasium Hall (60 M<sup>2</sup>).
  - Suitable Devices and Equipments.
  - Two HVAC Split Unit.
- Toilets (16.5 M<sup>2</sup>).
  - Three Hand Wash Lavatory with Mirrors.
  - Three Shower Cabinet (100\*100 Cm).
  - Three Bowl with Integrated Douche Spray.
  - Two Wall Mounted Urinal with Douche.



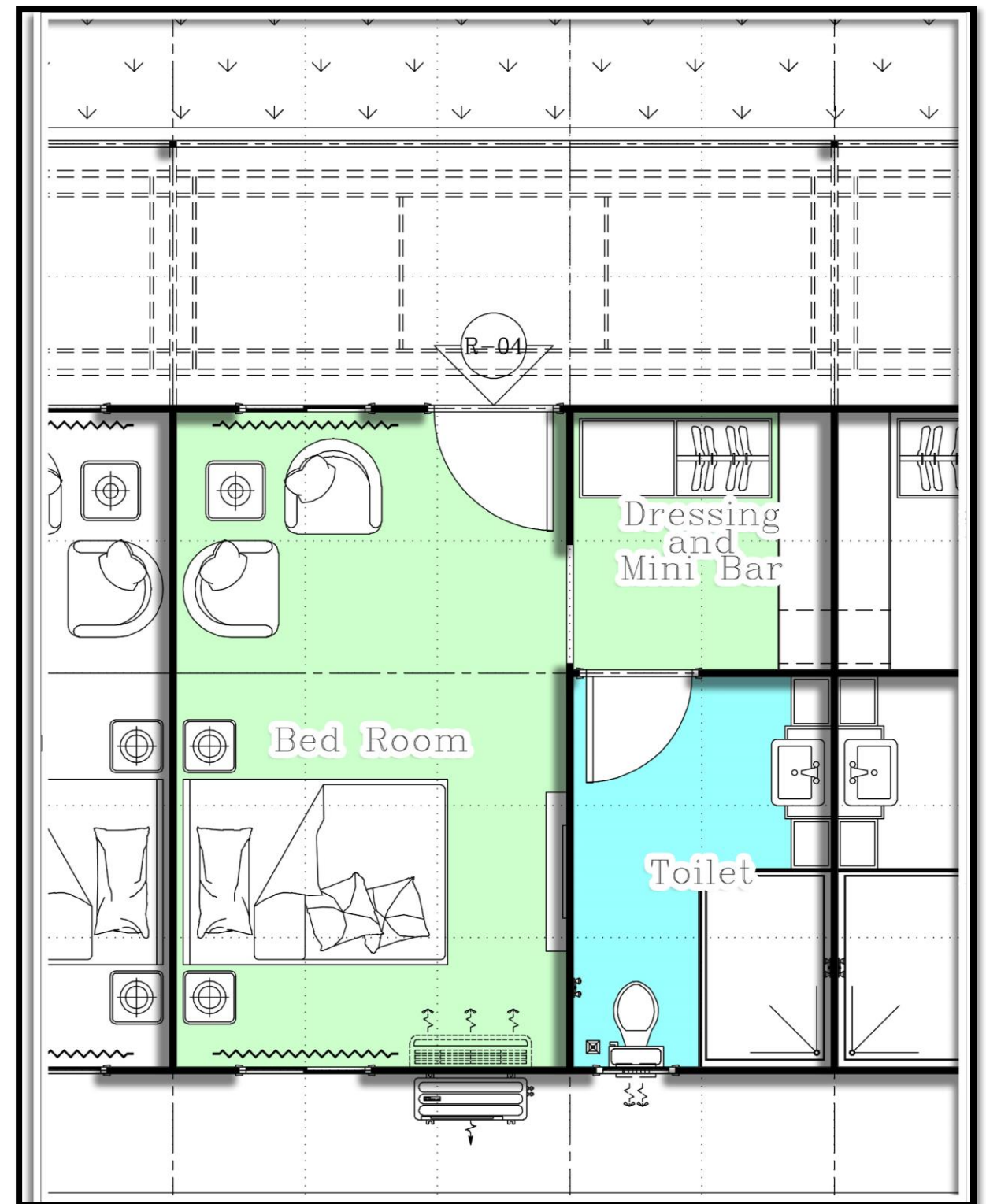
### Guesthouse – Administration Spaces

- Manager Office (16 M<sup>2</sup>).
- Front Desk Office (16 M<sup>2</sup>).
- Meeting Room (32 M<sup>2</sup>).
- Office (12 M<sup>2</sup>).
- Lockers Room (20 M<sup>2</sup>).



## Guesthouse - Bed Rooms

- Capacity 18 Bed Rooms (25 M<sup>2</sup>).
- Individual Bed Room (15 M<sup>2</sup>).
  - One Bed (140\*200 Cm).
  - Two Bed Side Table (42\*40 Cm).
  - Two Arm Chair (60\*60 Cm).
  - One Side Table (40\*40 Cm).
  - One T.V. Shelf (190\*26 Cm).
  - One Wall Mounted T.V.
  - Two Curtains (200 Cm).
  - One HVAC Split Unit.
- Individual Dressing and Mini Bar (4 M<sup>2</sup>).
  - One Wardrobe (120\*60 Cm).
  - One Mini Bar (200\*50 Cm).
- Individual Toilet (6 M<sup>2</sup>).
  - Hand Wash Lavatory with Mirror.
  - Two Wall Mounted Cabinet (100\*50 Cm).
  - Shower Cabinet (150\*100 Cm).
  - Bowl with Integrated Douche Spray.



**Guesthouse (Technical Assistance Luxury Accommodation) And Containers Area (Staff Accommodation)**



**Guesthouse - Bed Rooms**





**Guesthouse (Technical Assistance Luxury Accommodation) And Containers Area (Staff Accommodation)**



**Guesthouse - Bed Rooms**

**Guesthouse (Technical Assistance Luxury Accommodation) And Containers Area (Staff Accommodation)**



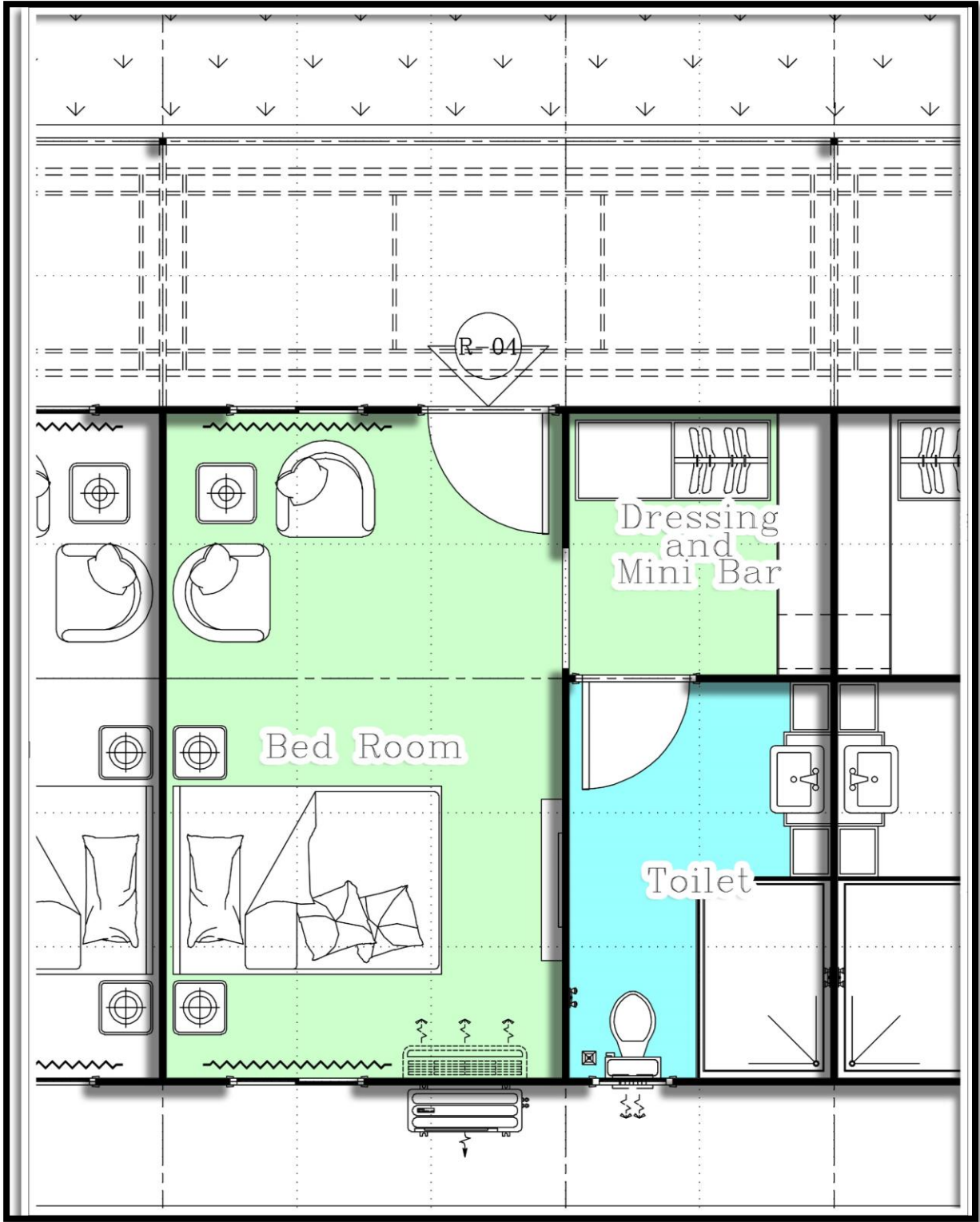
**Guesthouse - Bed Rooms**

**Guesthouse (Technical Assistance Luxury Accommodation) And Containers Area (Staff Accommodation)**

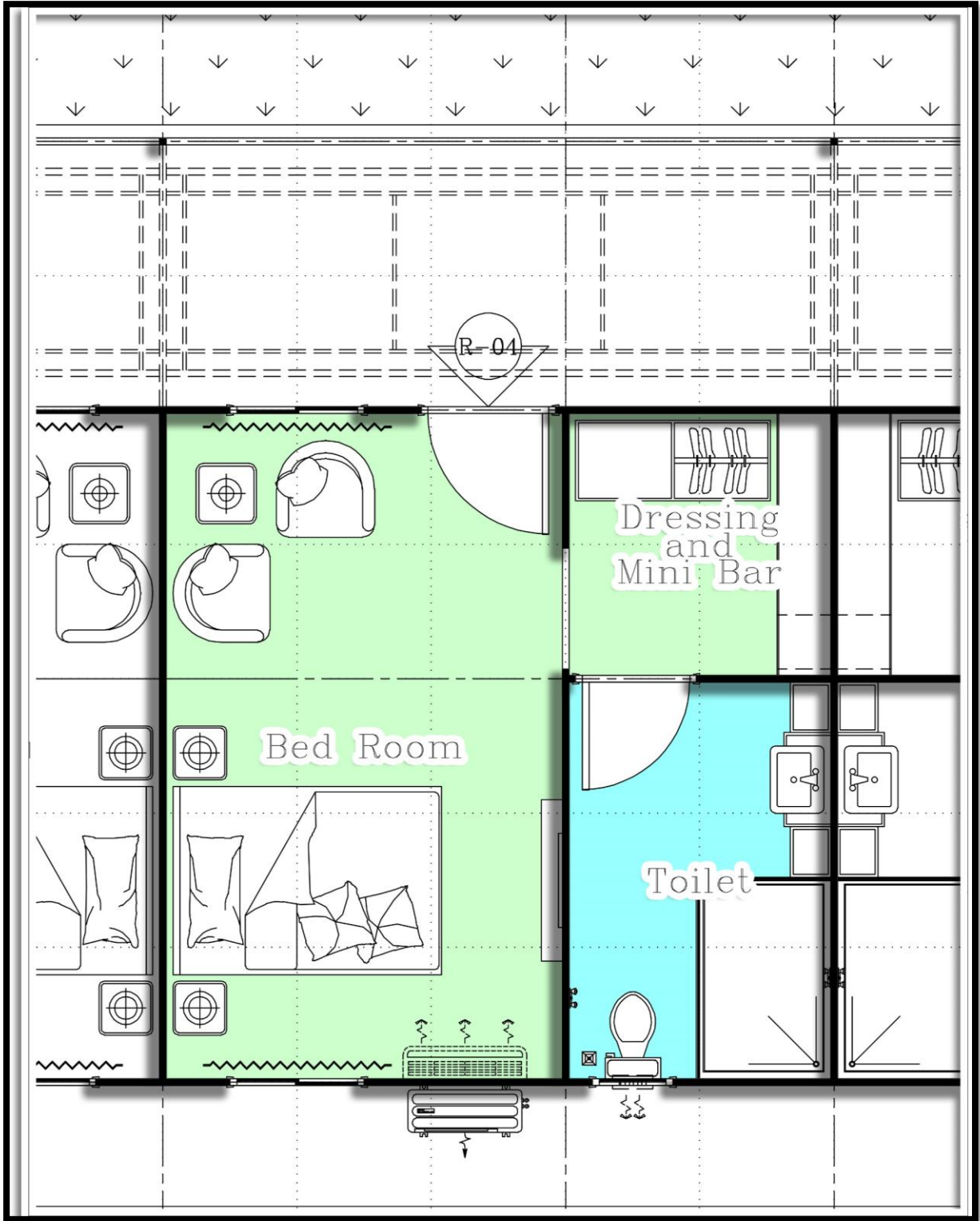
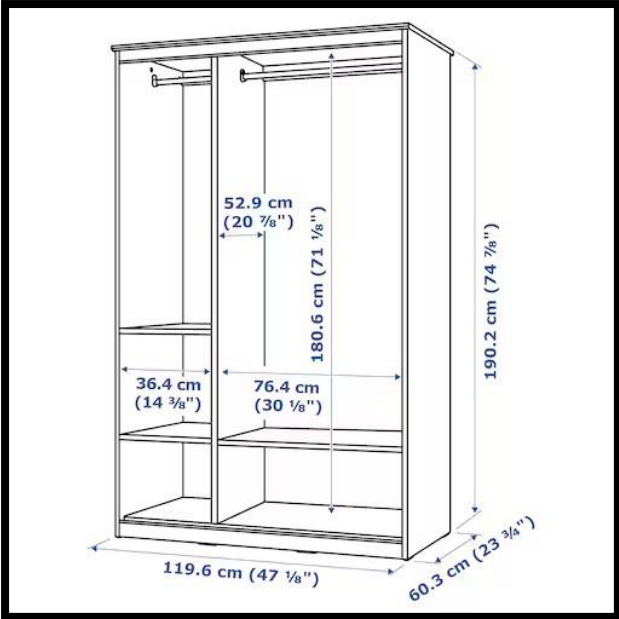
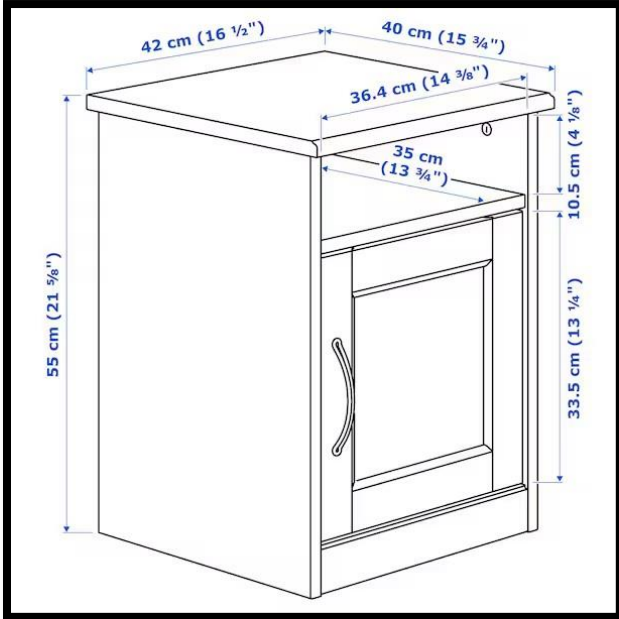
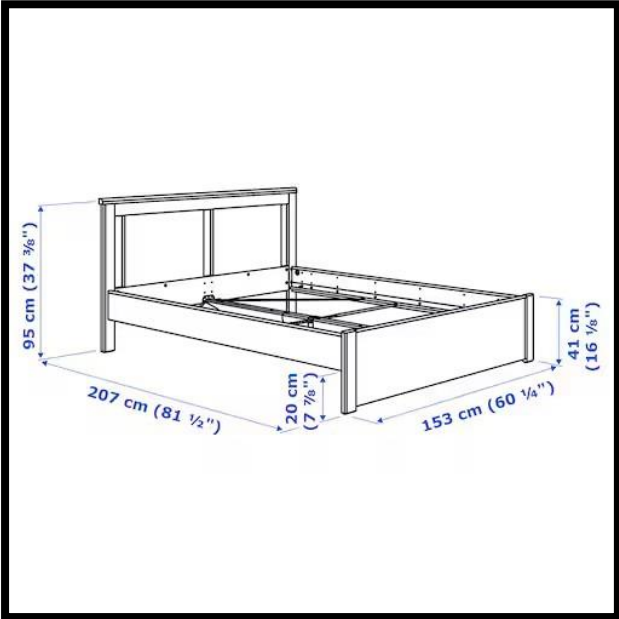


**Guesthouse - Bed Rooms**

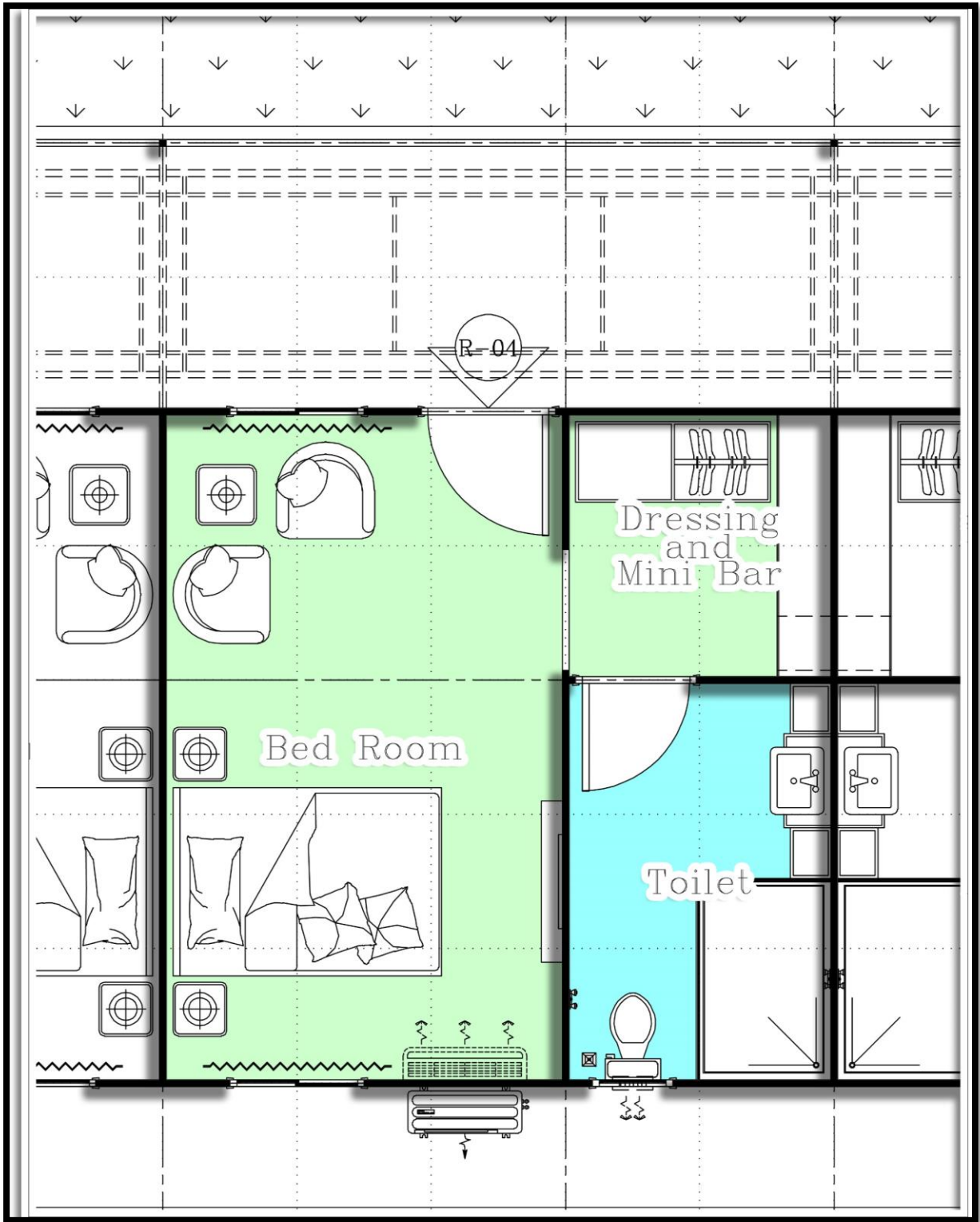
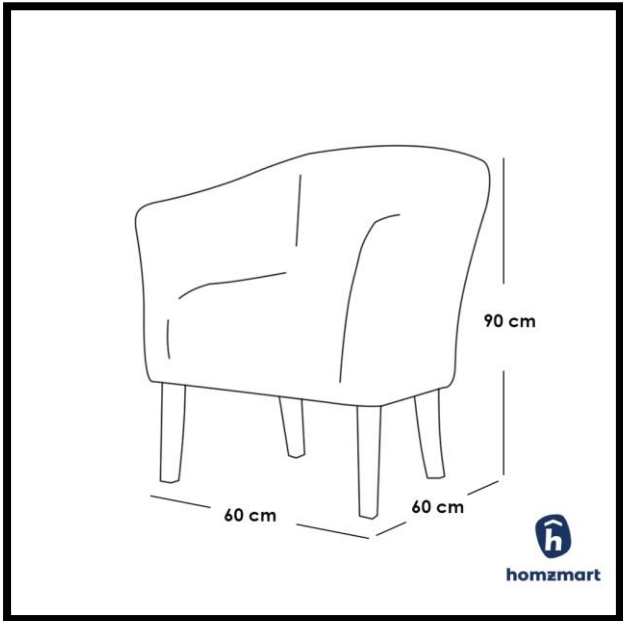
# Guesthouse - Bed Rooms Proposed Furniture



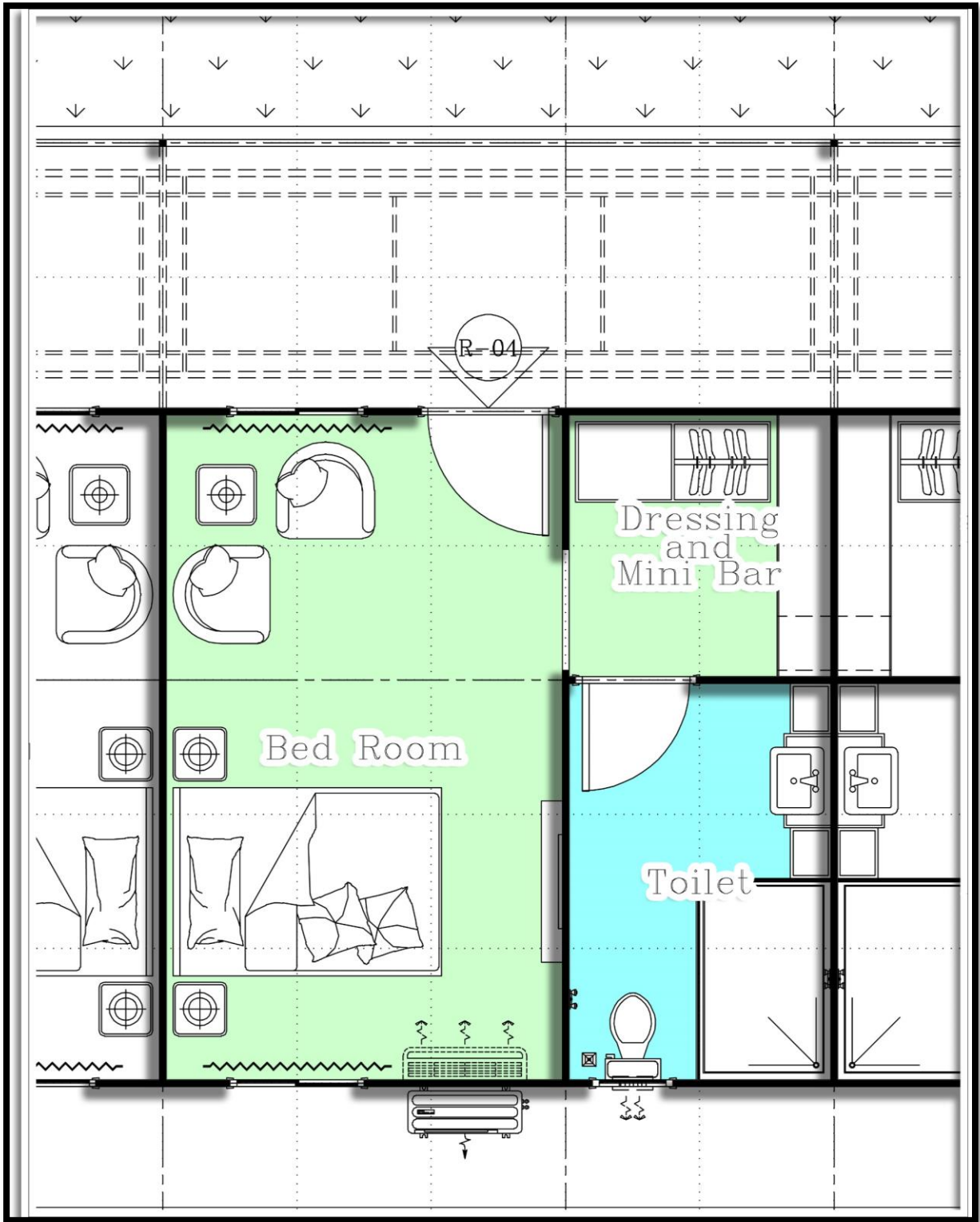
# Guesthouse - Bed Rooms Proposed Furniture



# Guesthouse - Bed Rooms Proposed Furniture

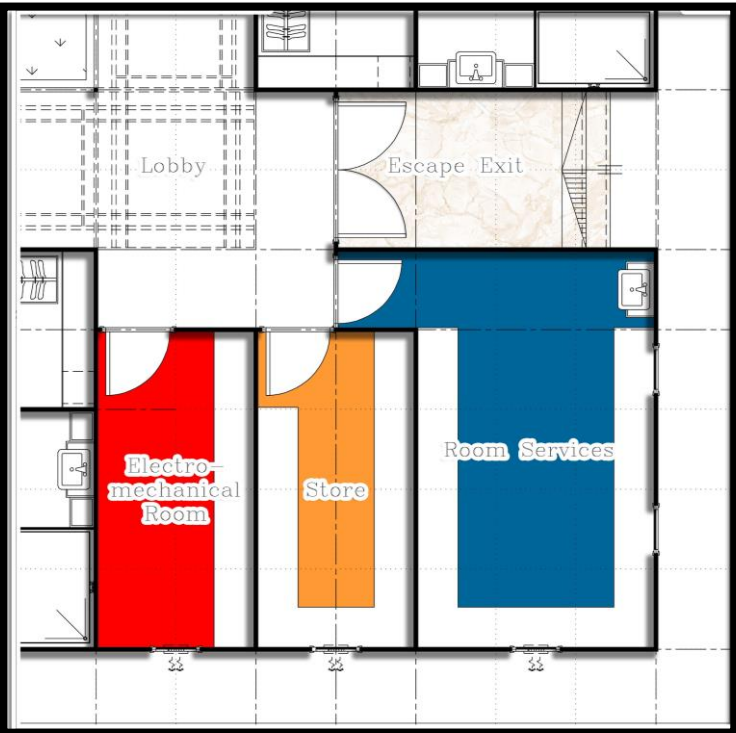
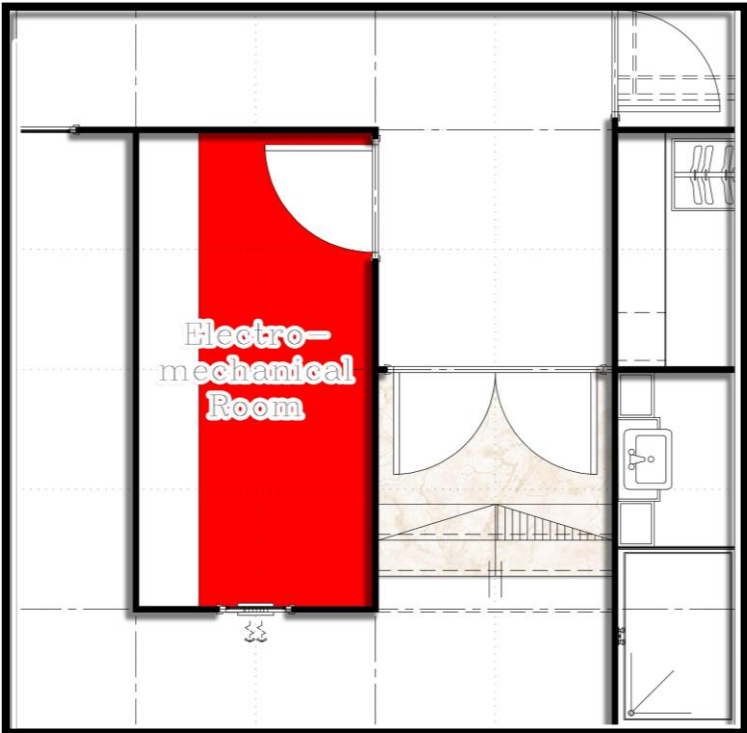
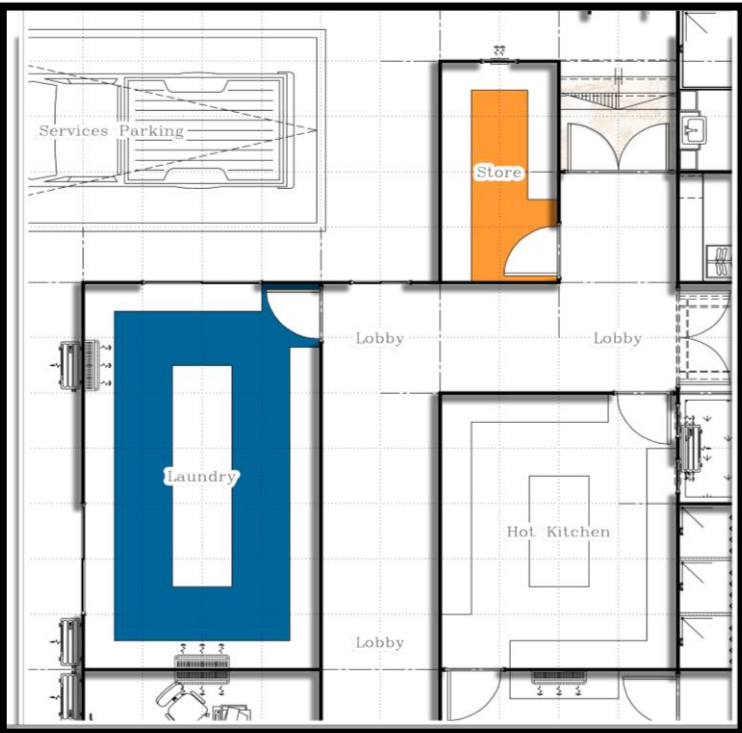
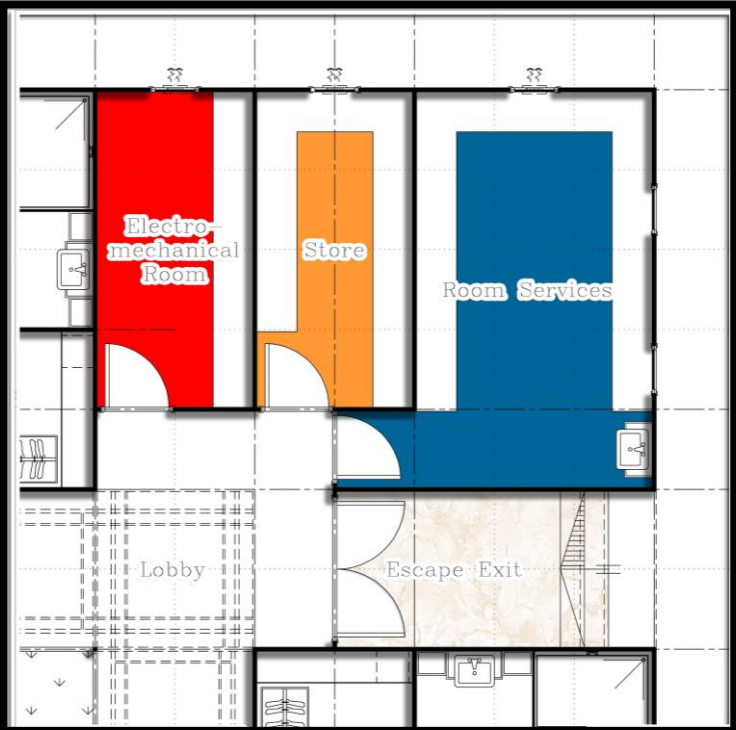


# Guesthouse - Bed Rooms Proposed Furniture



### Guesthouse – Services Spaces

- Room Services (2\*15 M<sup>2</sup>).
- Stores (3\*8 M<sup>2</sup>).
- Electromechanical Room (3\*8 M<sup>2</sup>).
- Laundry Room (28 M<sup>2</sup>).





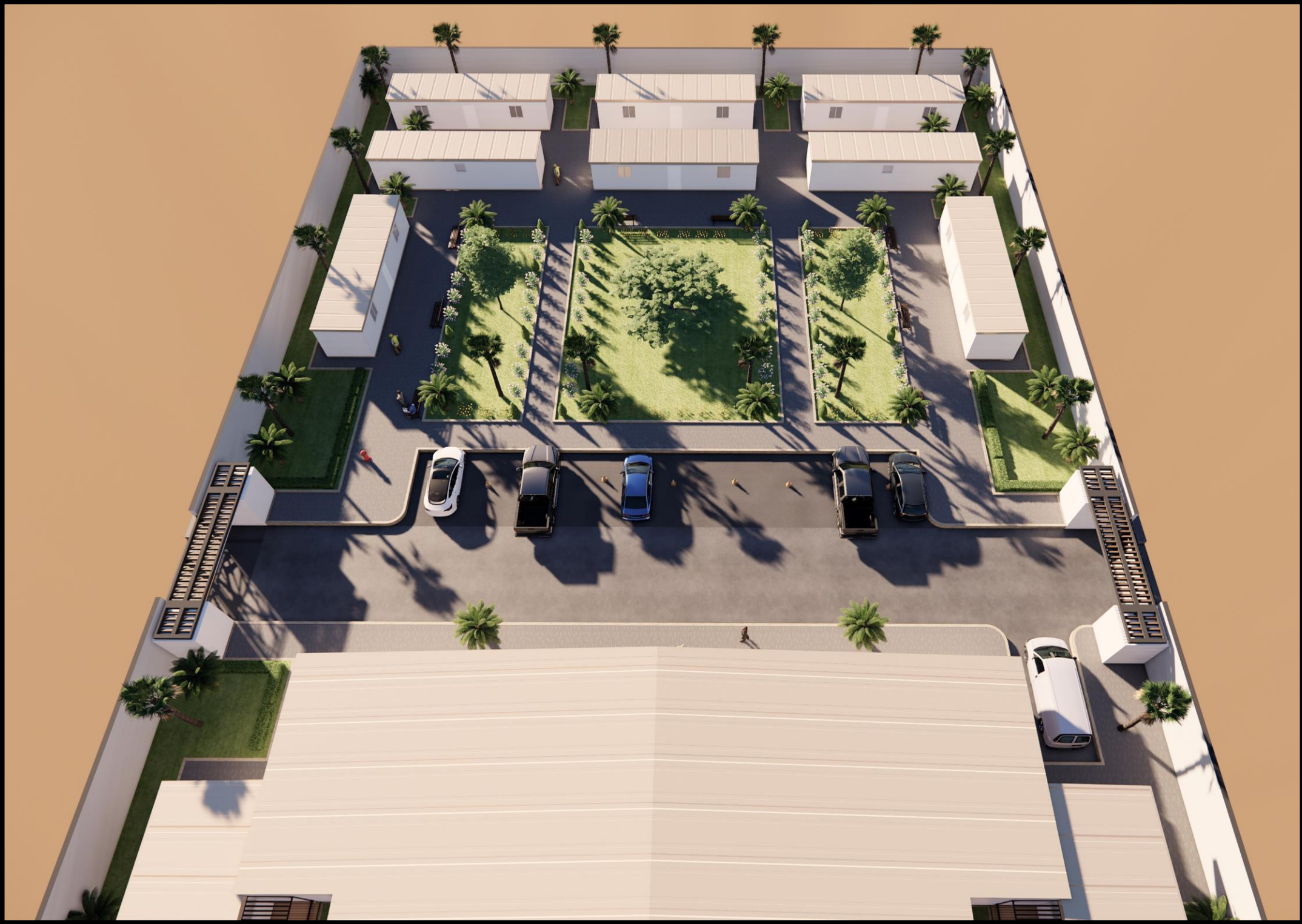
# Guesthouse (Technical Assistance Luxury Accommodation) And Containers Area (Staff Accommodation)



Containers Area Master Plan



Guesthouse (Technical Assistance Luxury Accommodation) And Containers Area (Staff Accommodation)



Containers Area Perspective



**Guesthouse (Technical Assistance Luxury Accommodation) And Containers Area (Staff Accommodation)**



**Containers Area Perspective**

**Guesthouse (Technical Assistance Luxury Accommodation) And Containers Area (Staff Accommodation)**



**Containers Area Perspective**

# Guesthouse (Technical Assistance Luxury Accommodation) And Containers Area (Staff Accommodation)

**Drivers Accommodation**

- Capacity One Caravan (36 M<sup>2</sup>).
  - Common Bed Rooms (2\*14.25 M<sup>2</sup>).
  - Common Toilet (4.5 M<sup>2</sup>).
  - Common Lobby (3 M<sup>2</sup>).

**Rest Room**

- Capacity One Caravan (36 M<sup>2</sup>).

**Workers Accommodation**

- Capacity Four Caravans (4\*36 M<sup>2</sup>).
  - Common Bed Rooms (8\*14.25 M<sup>2</sup>).
  - Common Toilets (4\*4.5 M<sup>2</sup>).
  - Common Lobbies (4\*3 M<sup>2</sup>).



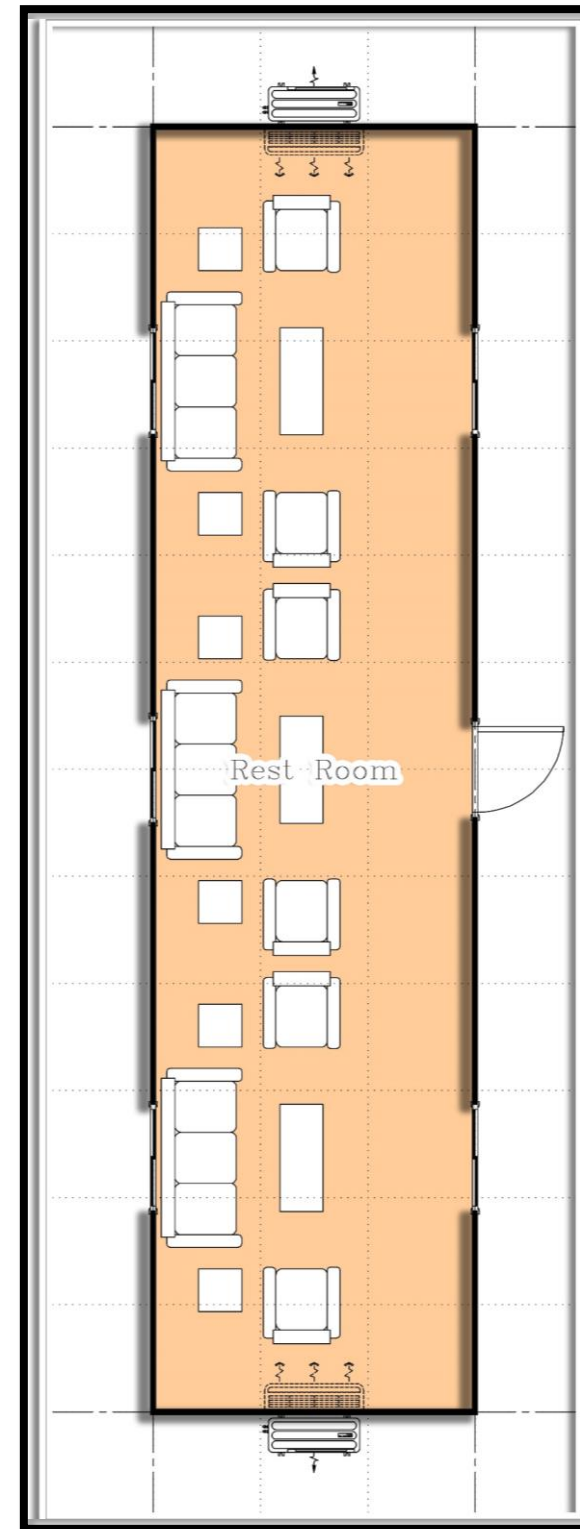
**Staff Accommodation**

- Capacity Two Caravans (2\*36 M<sup>2</sup>).
  - Individual Bed Rooms (4\*14.25 M<sup>2</sup>).
  - Common Toilets (2\*4.5 M<sup>2</sup>).
  - Common Lobbies (2\*3 M<sup>2</sup>).

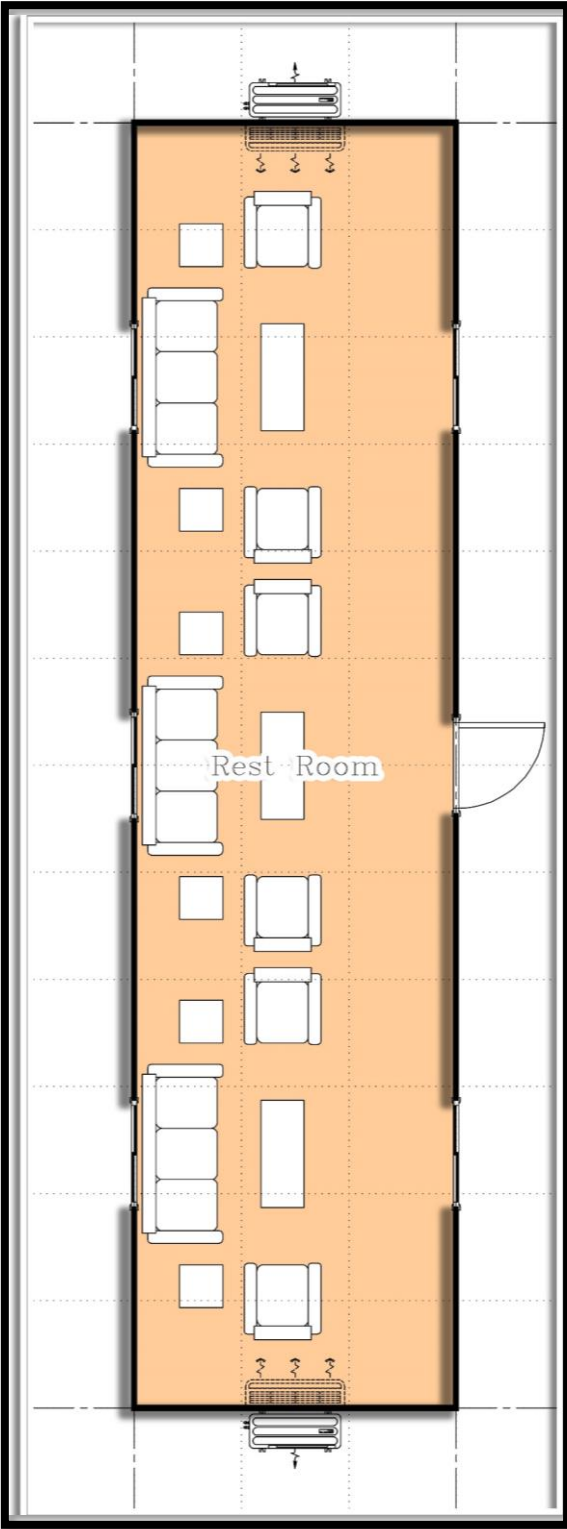
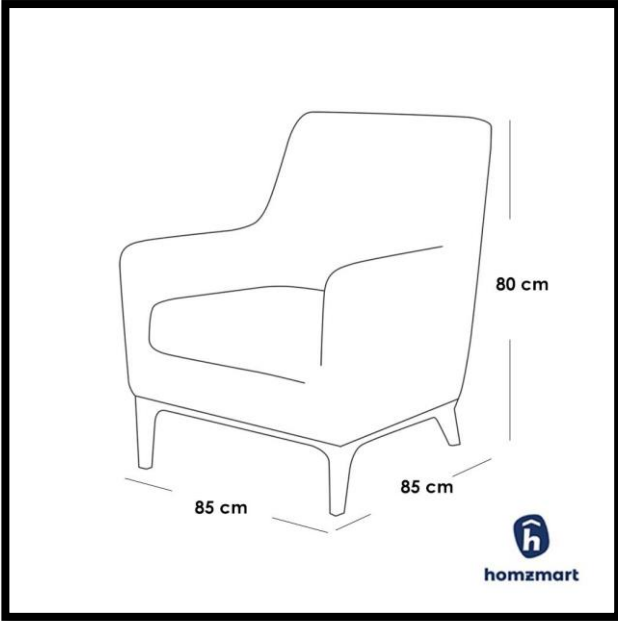
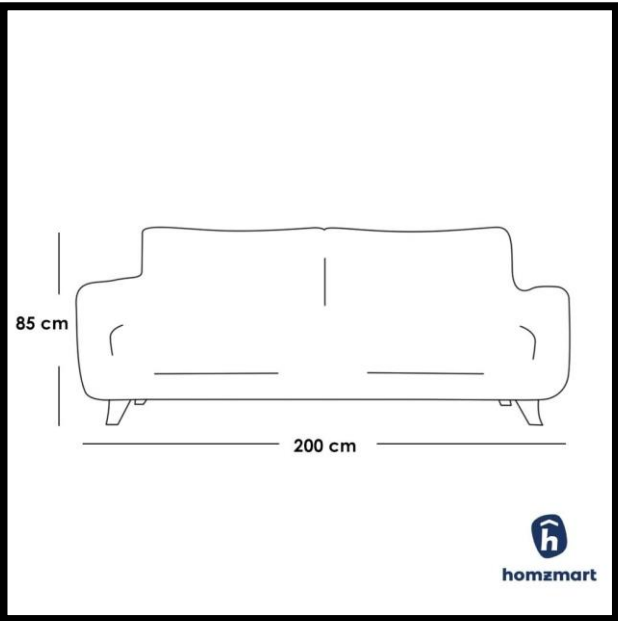


## Containers Area - Rest Room

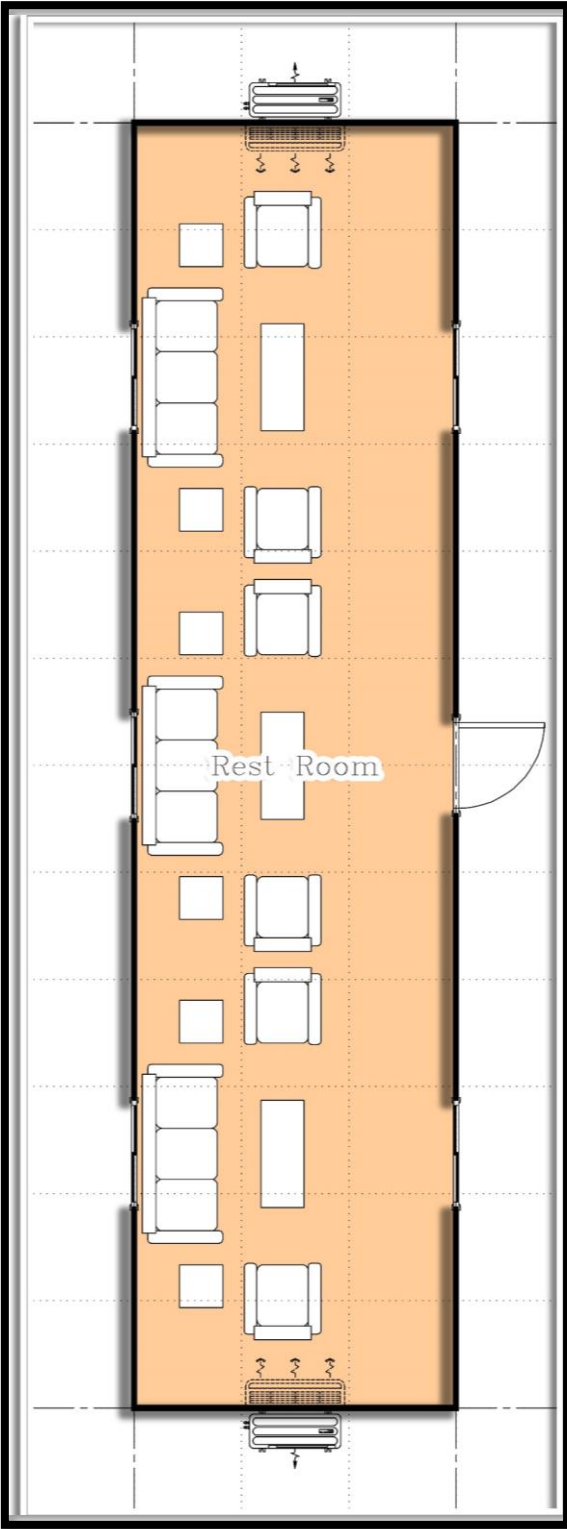
- Capacity One Caravan (36 M<sup>2</sup>).
- Sitting Area (36 M<sup>2</sup>).
  - Three Sofa (200\*70 Cm).
  - Six Arm Chair (85\*85 Cm).
  - Three Center Table (90\*60 Cm).
  - Six Side Table (40\*40 Cm).
  - Two HVAC Split Unit.



# Containers Area - Rest Room Proposed Furniture



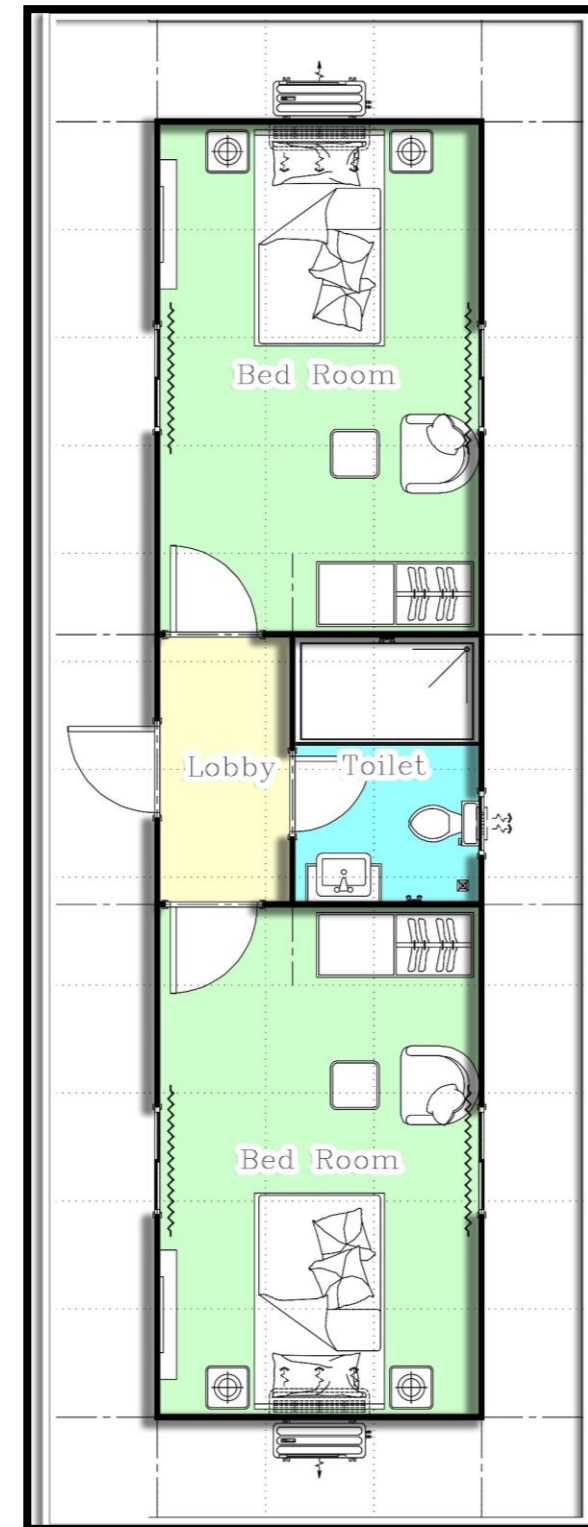
# Containers Area - Rest Room Proposed Furniture



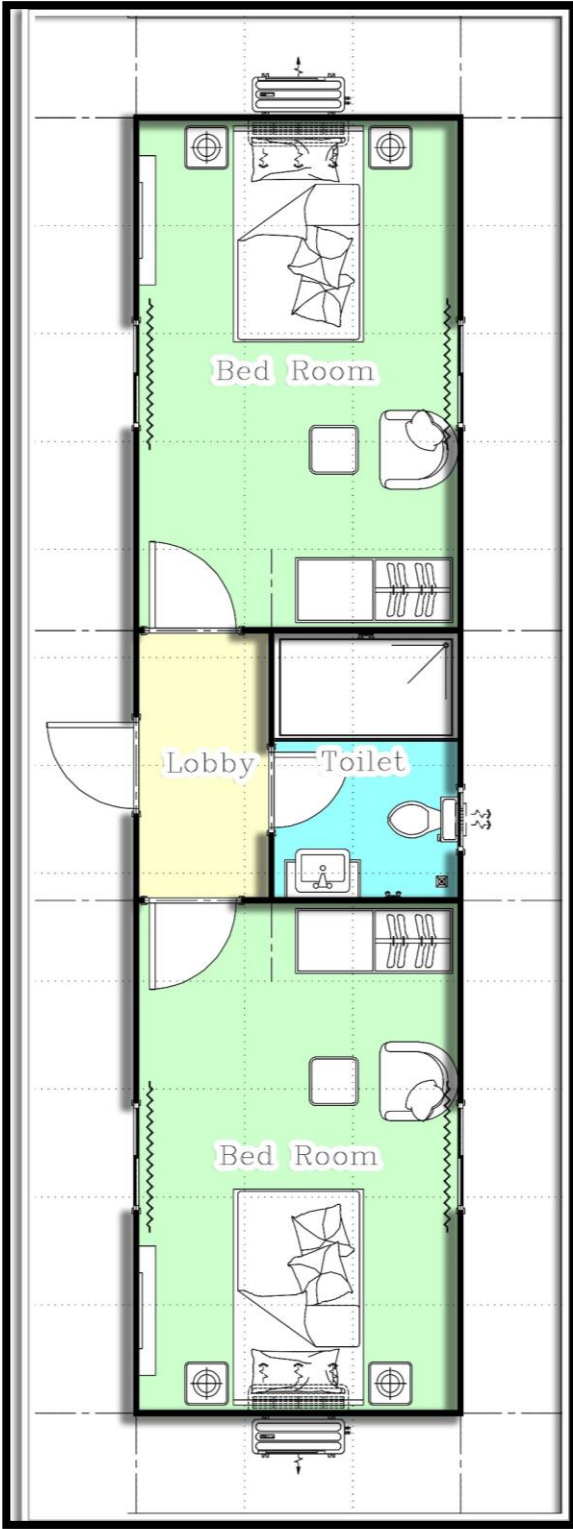
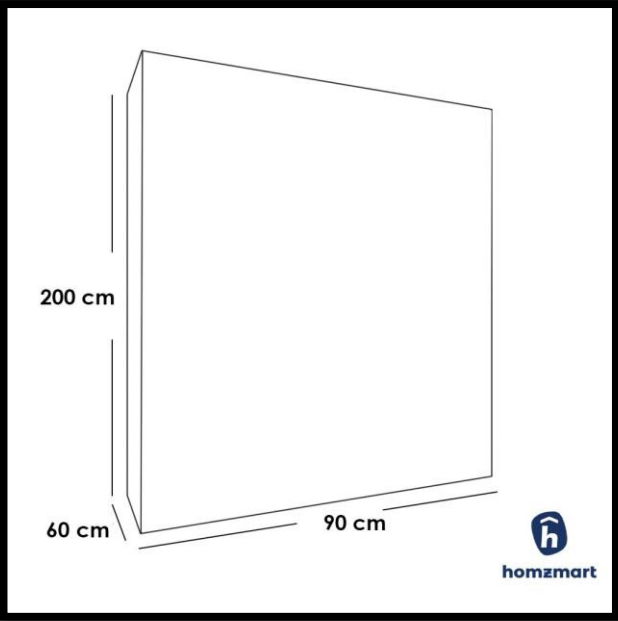
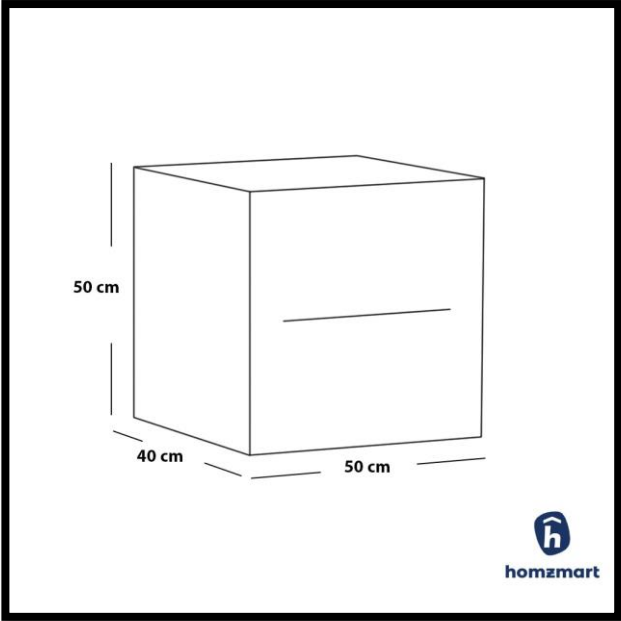
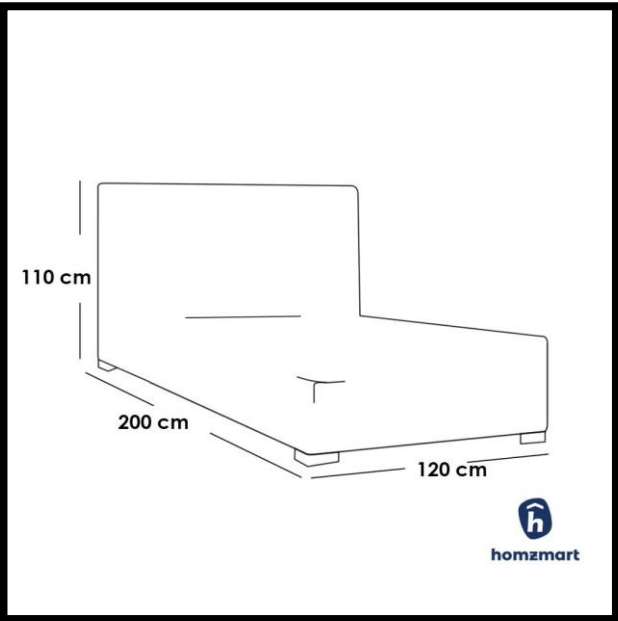


## Containers Area – Staff Bed Room

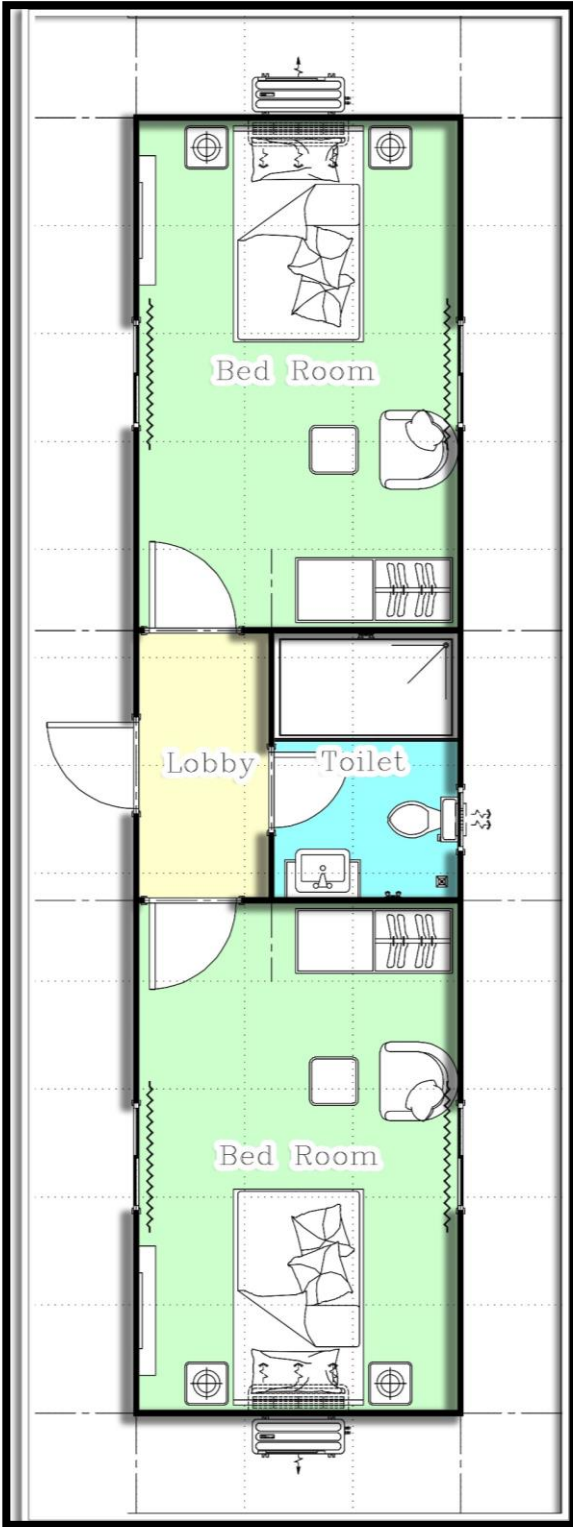
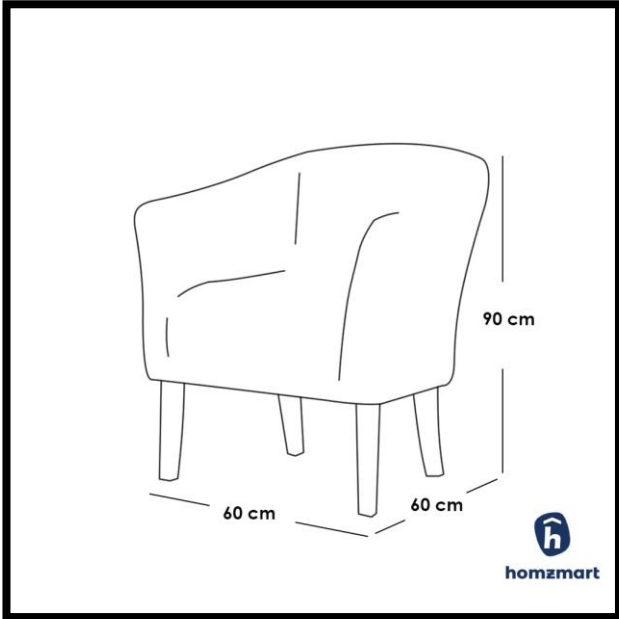
- Capacity Two Caravans (2\*36 M<sup>2</sup>).
- Individual Bed Rooms (4\*14.25 M<sup>2</sup>).
  - One Bed (120\*200 Cm).
  - Two Bed Side Table (50\*40 Cm).
  - One Arm Chair (60\*60 Cm).
  - One Side Table (40\*40 Cm).
  - One Wardrobe (90\*60 Cm).
  - One T.V. Shelf (190\*26 Cm).
  - One Wall Mounted T.V.
  - Two Curtains (200 Cm).
  - One HVAC Split Unit.
- Common Toilets (2\*4.5 M<sup>2</sup>).
  - Hand Wash Lavatory with Mirror.
  - Shower Cabinet (175\*100 Cm).
  - Bowl with Integrated Douche Spray.
- Common Lobbies (2\*3 M<sup>2</sup>).



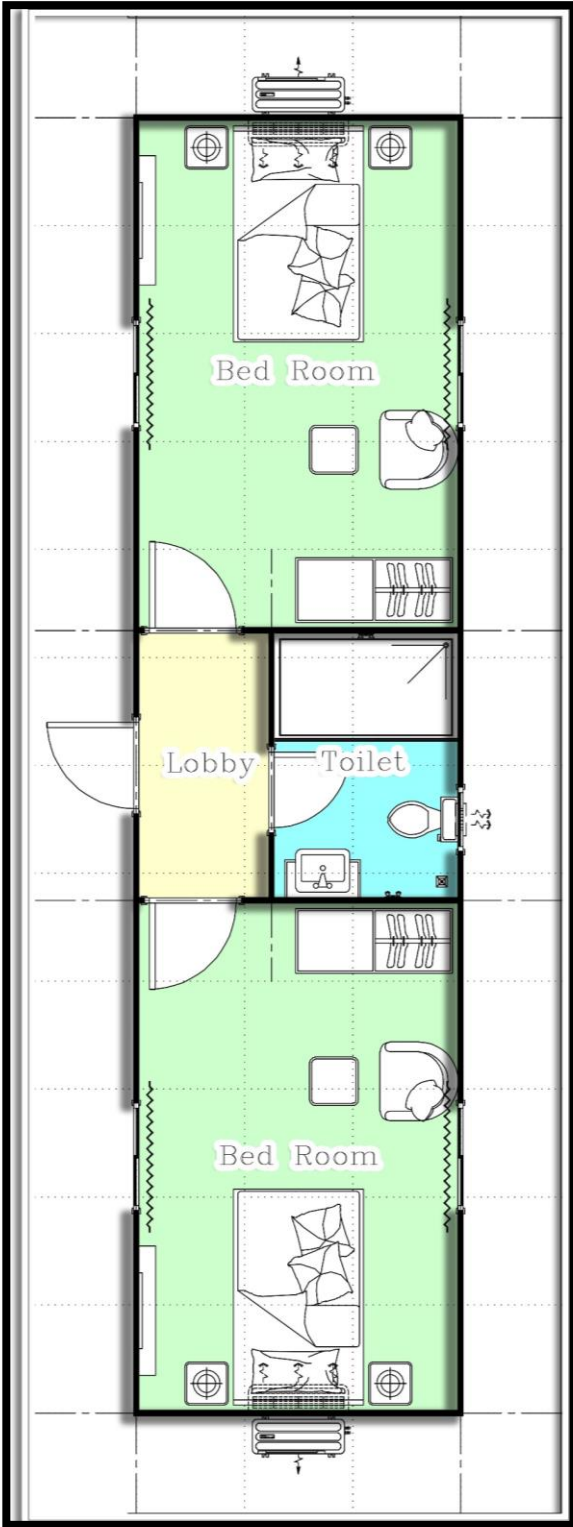
# Containers Area – Staff Bed Room Proposed Furniture



# Containers Area – Staff Bed Room Proposed Furniture

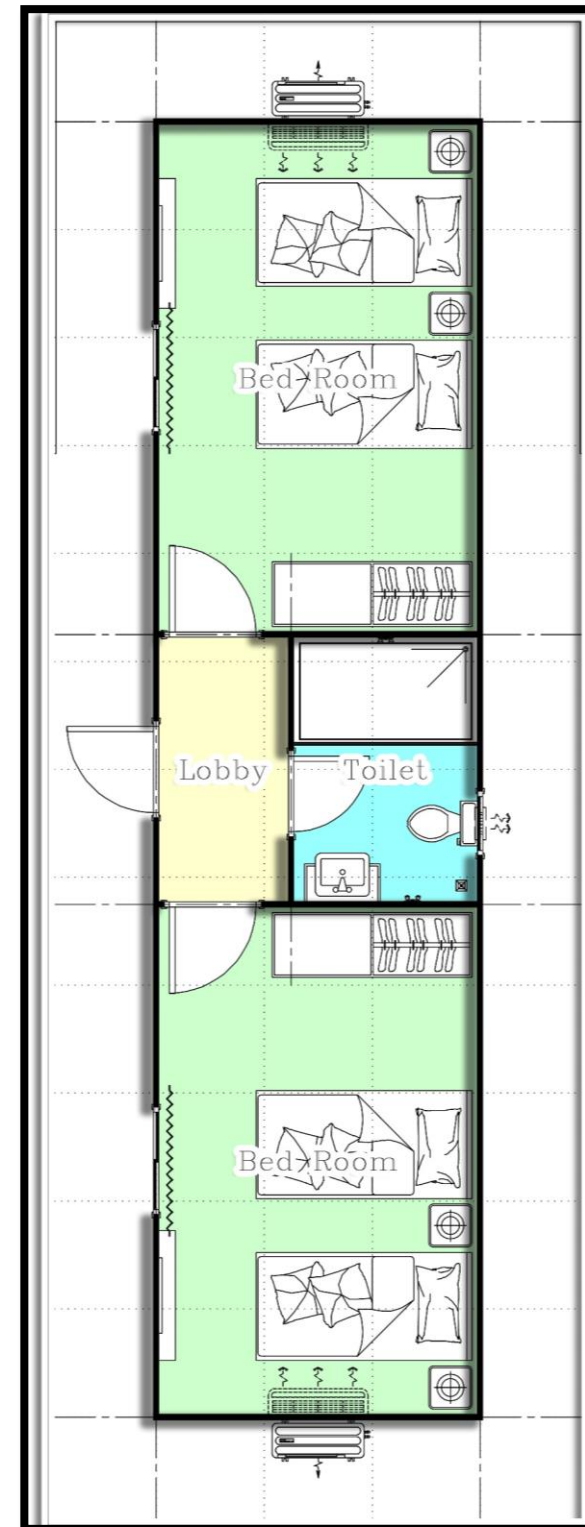


# Containers Area – Staff Bed Room Proposed Furniture

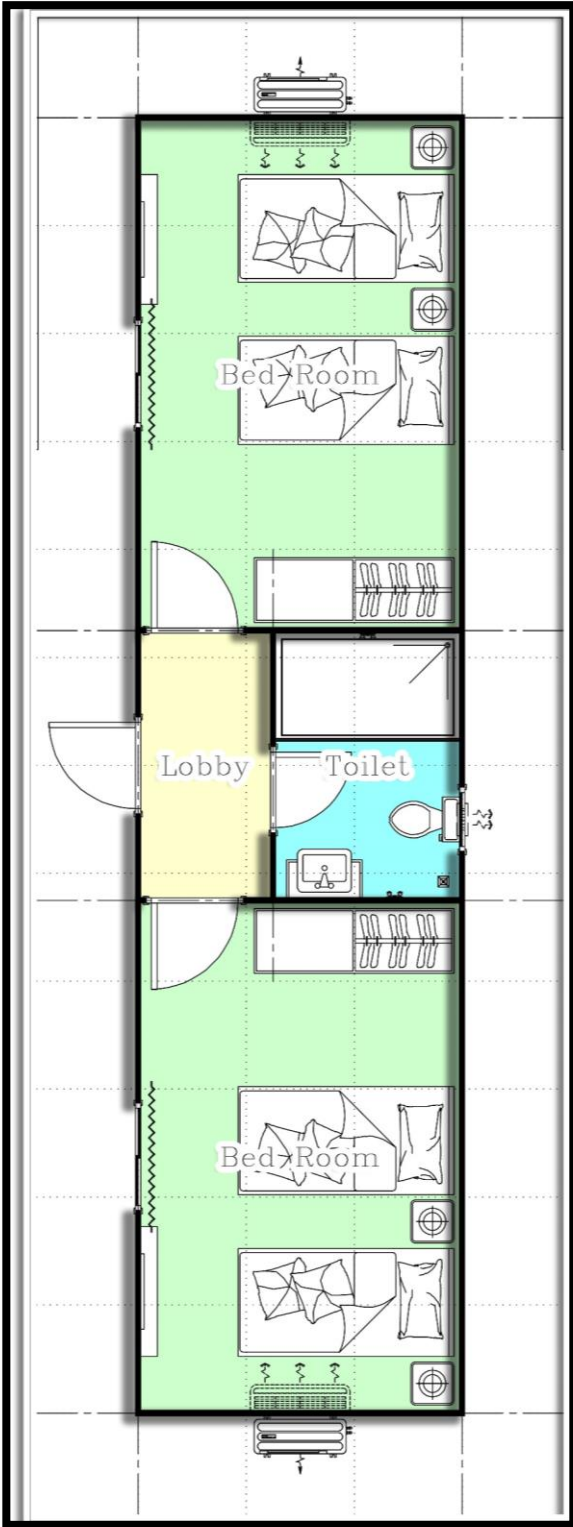
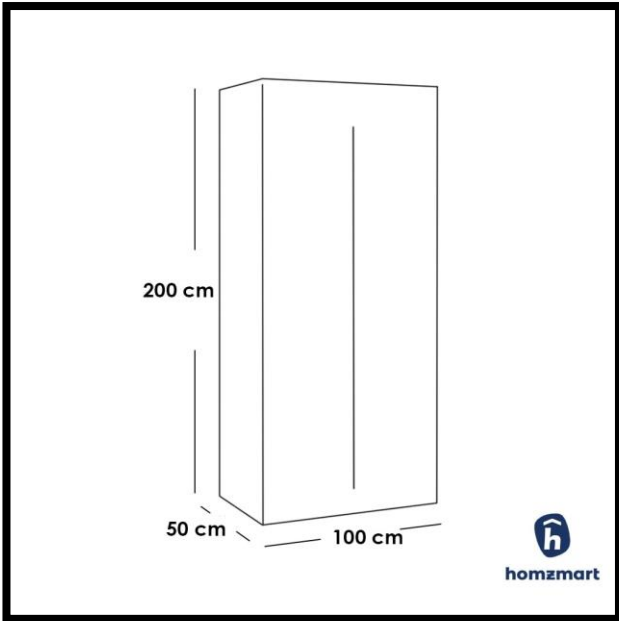
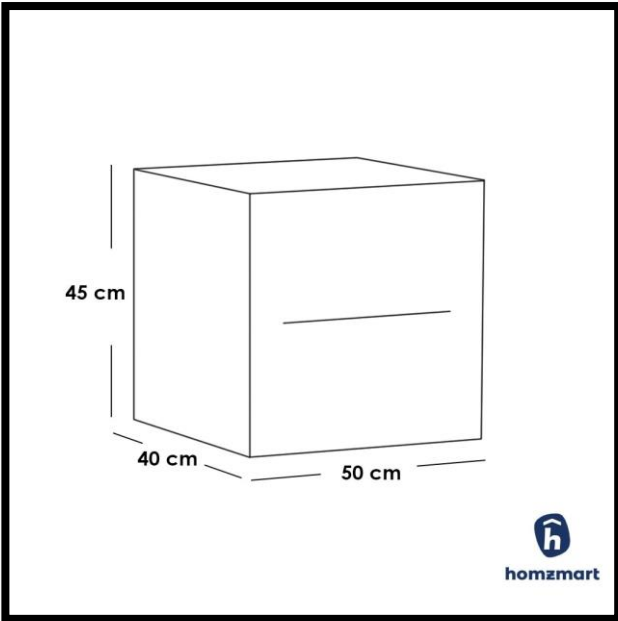
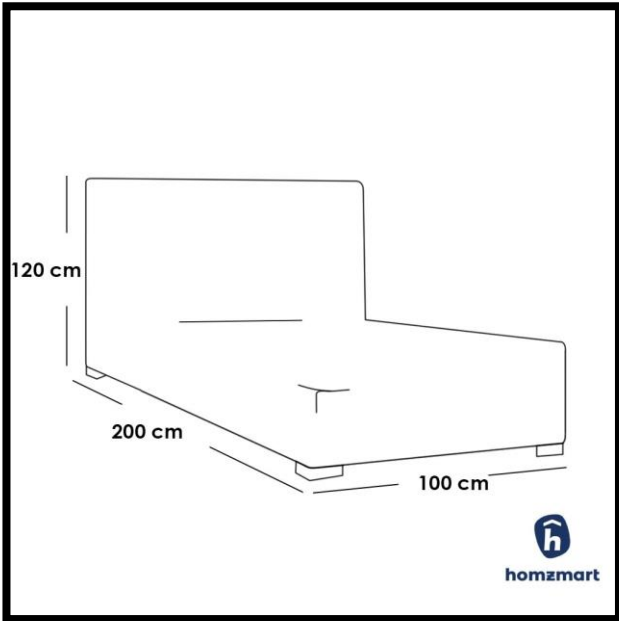


## Containers Area Driver and Workers Bed Room

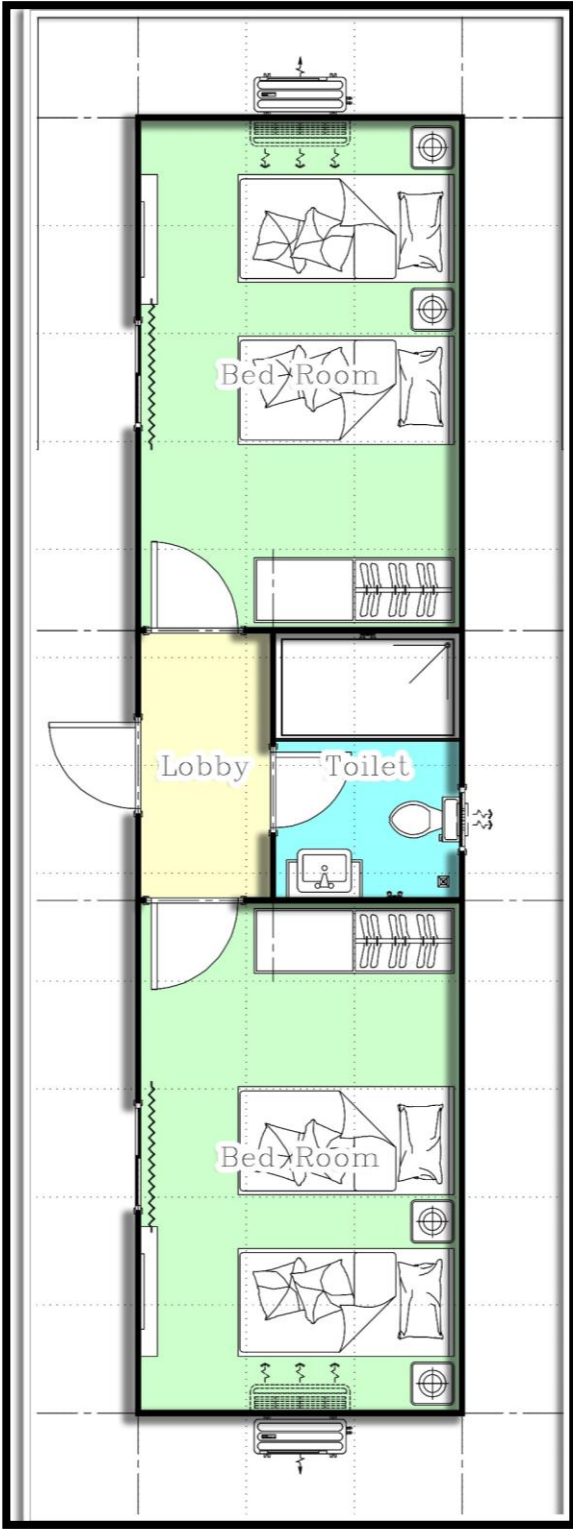
- Capacity Five Caravans (5\*36 M<sup>2</sup>).
- Common Bed Rooms (10\*14.25 M<sup>2</sup>).
  - Two Bed (100\*200 Cm).
  - Two Bed Side Table (50\*40 Cm).
  - Two Wardrobe (100\*50 Cm).
  - One T.V. Shelf (190\*26 Cm).
  - One Wall Mounted T.V.
  - One Curtains (200 Cm).
  - One HVAC Split Unit.
- Common Toilets (5\*4.5 M<sup>2</sup>).
  - Hand Wash Lavatory with Mirror.
  - Shower Cabinet (175\*100 Cm).
  - Bowl with Integrated Douche Spray.
- Common Lobbies (5\*3 M<sup>2</sup>).



### Containers Area Driver and Workers Bed Room Proposed Furniture



**Containers Area  
Driver and Workers Bed Room  
Proposed Furniture**



# Thank You



**INJAZ**

**Site Facilities Contracting**





